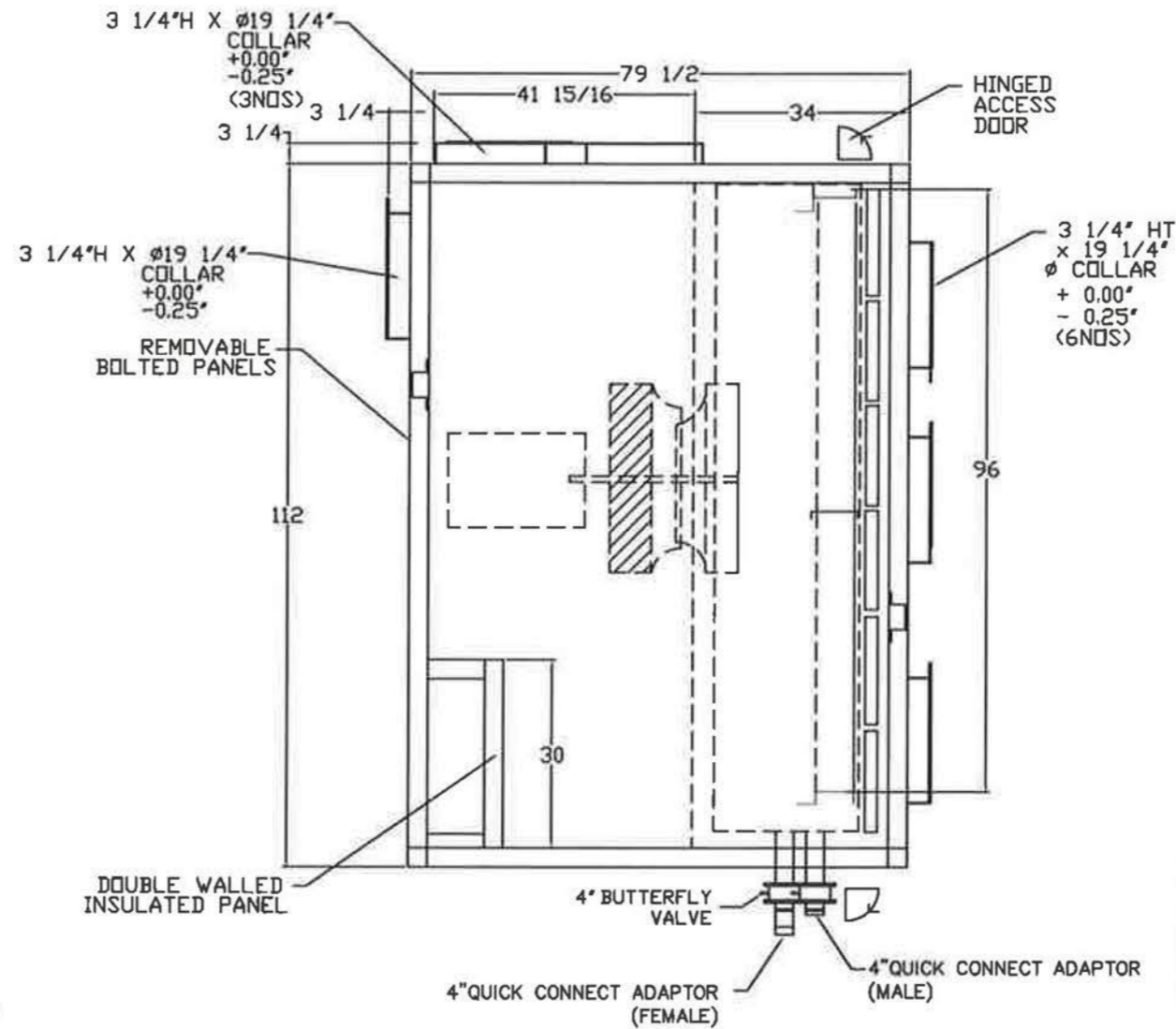


# CERTIFIED DRAWING

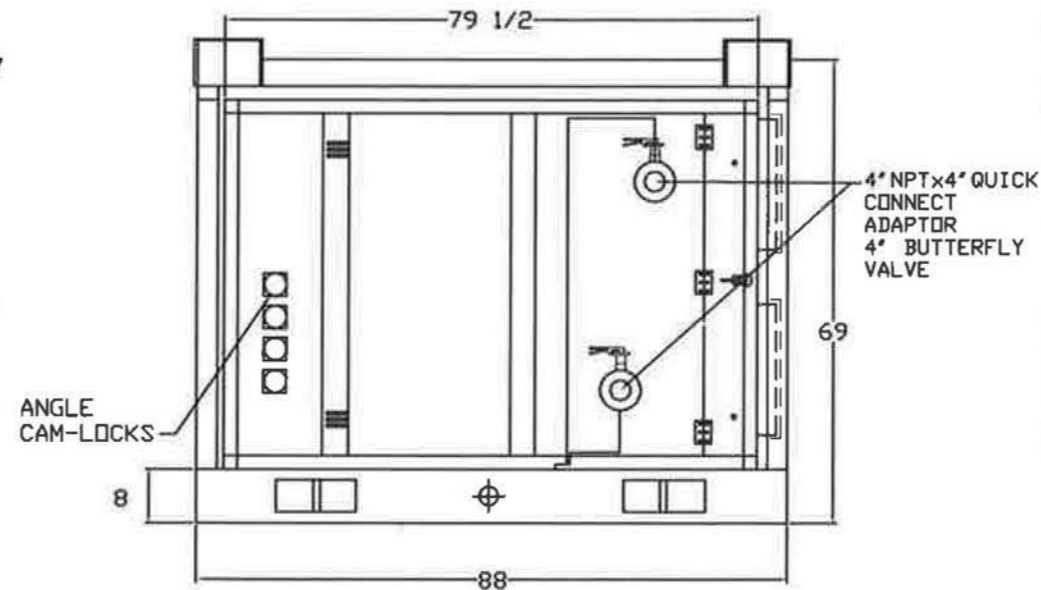
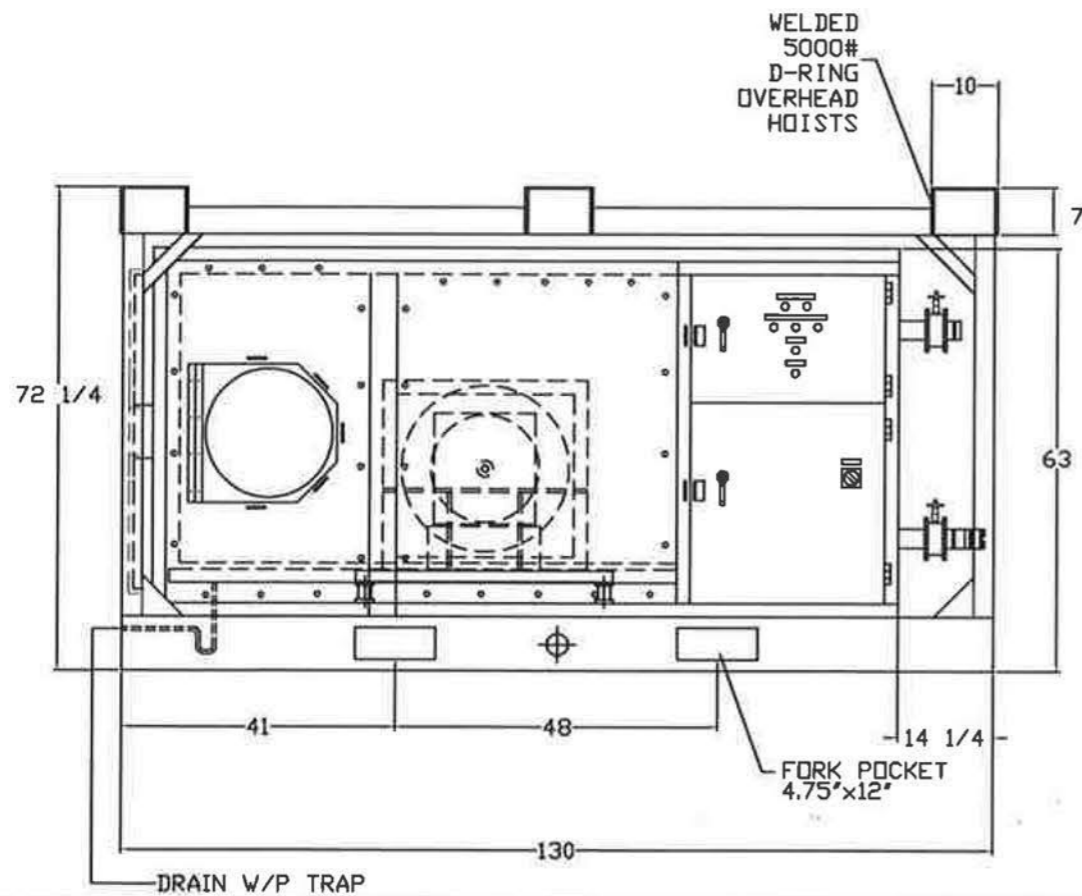
POWER SUPPLY : 460/3/60HZ

ALL DIMENSIONS ARE IN INCHES UNLESS OTHERWISE SPECIFIED.

DRAWN BY	DATE
CHECKED BY	DATE
APPROVED BY	DATE



PLAN VIEW OF EVAP. BLOWER SECTION ONLY



REV	DESCRIPTION	DATE	REV BY	CHK'D BY	APP'D BY
-----	-------------	------	--------	----------	----------

**SMART FAMILY OF COOLING PRODUCTS**  
 281-540-2805 | www.SmartCoolingProducts.com

PROJECT 23567  
 F/O :

MODEL SMTAH1D 135Q

TITLE AIR HANDLING UNIT

DRAWING NO S110510Y14

A4 SCALE : N.T.S SHEET 1 OF 2