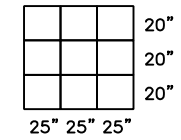


CERTIFIED DRAWING

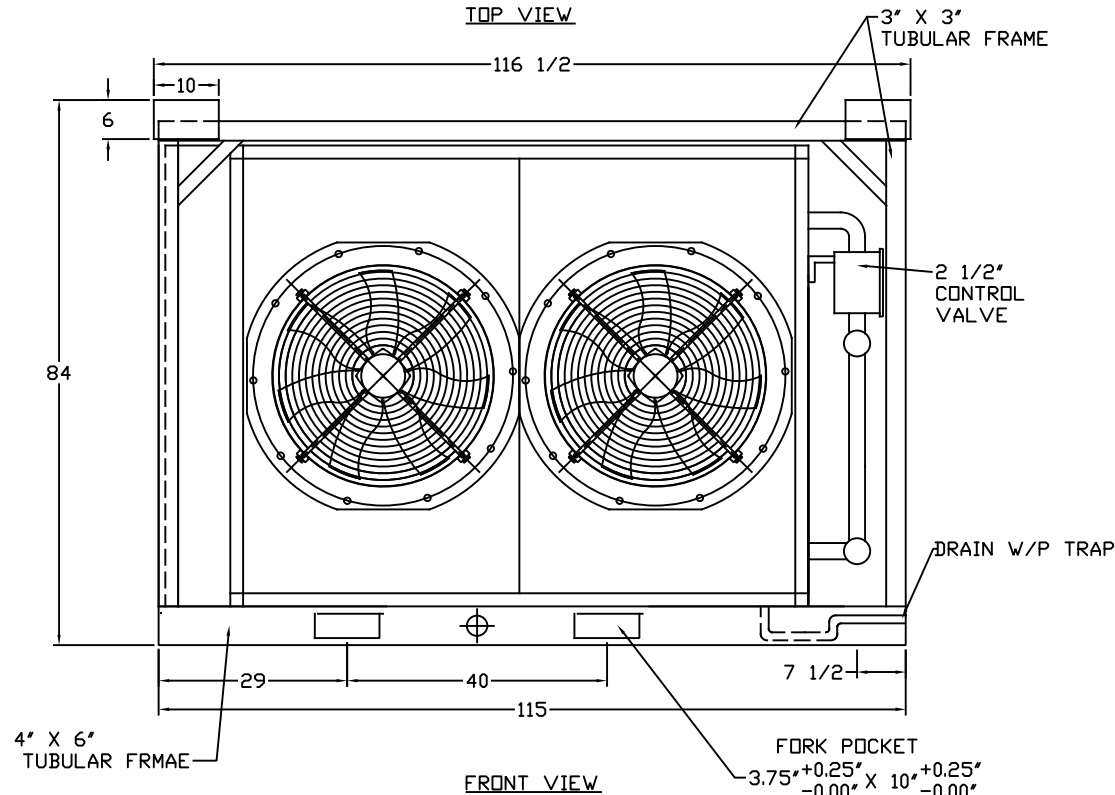
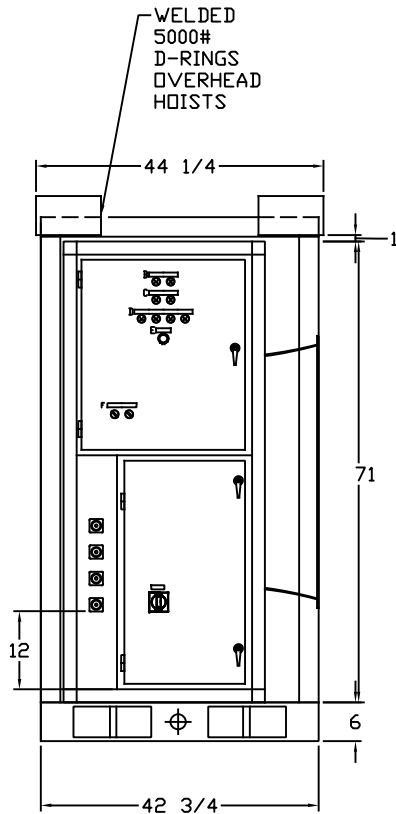
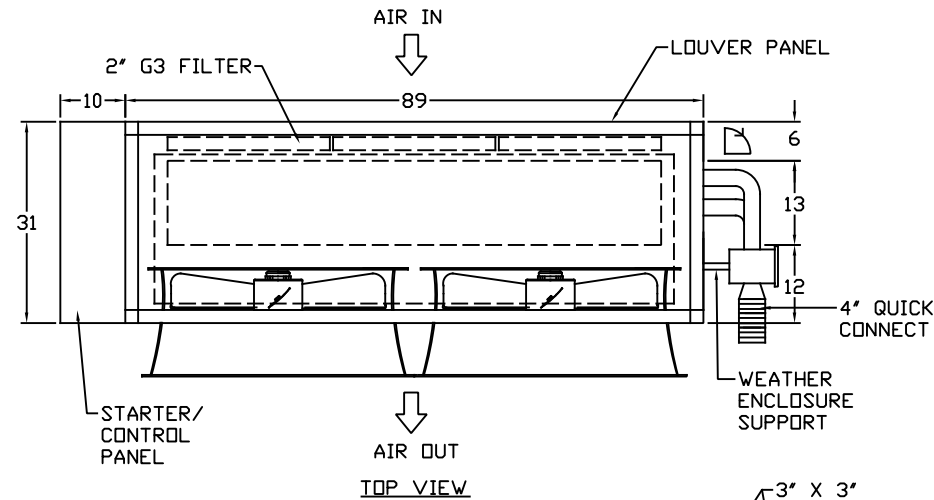
HEATER 4 STAGES, 15 ELEMENTS EACH

FILTER ARRANGEMENT:



ALL DIMENSIONS ARE IN INCHES UNLESS OTHERWISE SPECIFIED.

DRAWN BY	AZRUL	DATE	23/01/2019
CHECKED BY	DJ	DATE	23/01/2019
APPROVED BY	CS	DATE	23/01/2019



REV	DESCRIPTION	DATE	REV BY	CHK'D BY	APP'D BY
-----	-------------	------	--------	----------	----------



PROJECT 20887

F/O :

MODEL SMT 020Q - LT - H - EDF

TITLE
CHILLED WATER COIL MODULE

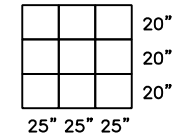
DRAWING NO S110510U23

A4	SCALE : N.T.S	SHEET 1 OF 2
----	---------------	--------------

CERTIFIED DRAWING

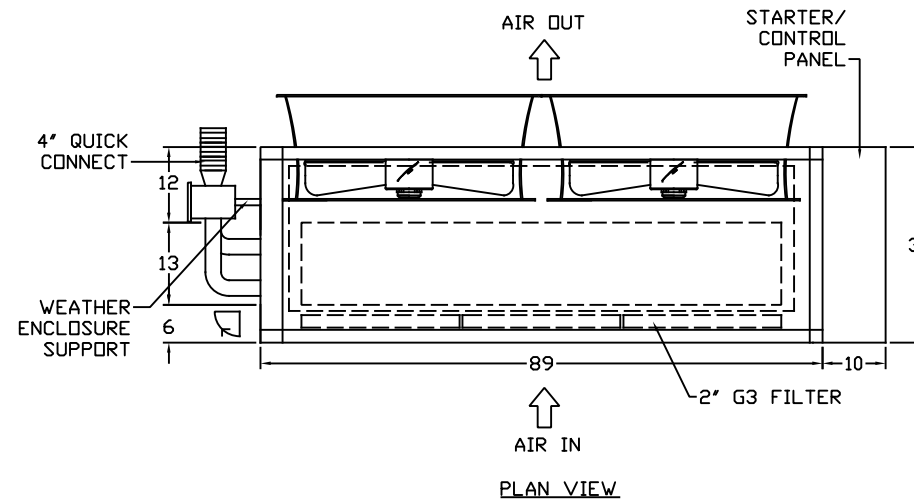
DEFROST : 4 STAGES, 15 ELEMENTS EACH
HEATER

FILTER ARRANGEMENT:

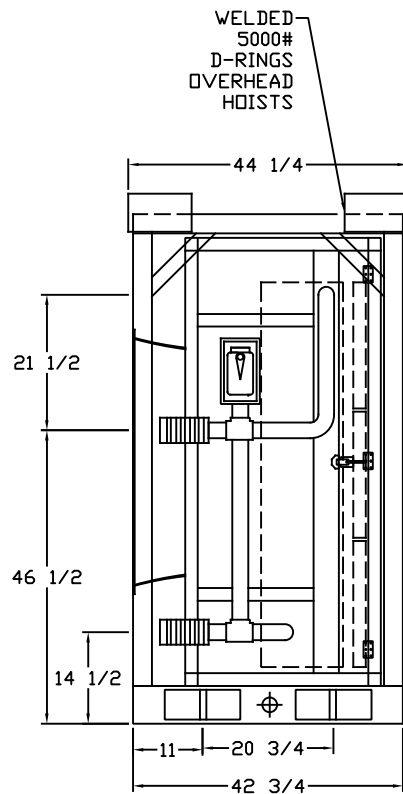


ALL DIMENSIONS ARE IN INCHES UNLESS OTHERWISE SPECIFIED.

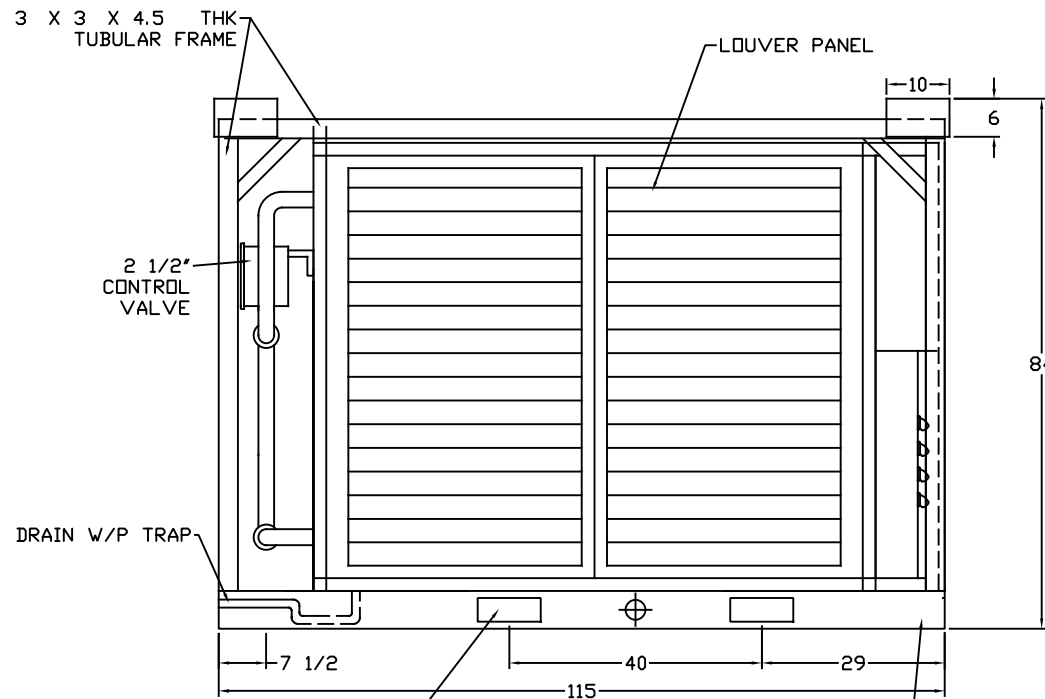
DRAWN BY	AZRUL	DATE	23/01/2019
CHECKED BY	DJ	DATE	23/01/2019
APPROVED BY	CS	DATE	23/01/2019



PLAN VIEW



LEFT VIEW



REAR VIEW

FORK POCKET
+0.25" X 10" +0.25" 3.75"
-0.00" X -0.00"

4" X 6" TUBULAR FRAME

REV	DESCRIPTION	DATE	REV BY	CHK'D BY	APP'D BY
-----	-------------	------	--------	----------	----------



PROJECT 20887

F/O :

MODEL SMT 020Q - LT - H - EDF

TITLE
CHILLED WATER COIL MODULE

DRAWING NO S110510U23

A4	SCALE : N.T.S	SHEET 2 OF 2
----	---------------	--------------