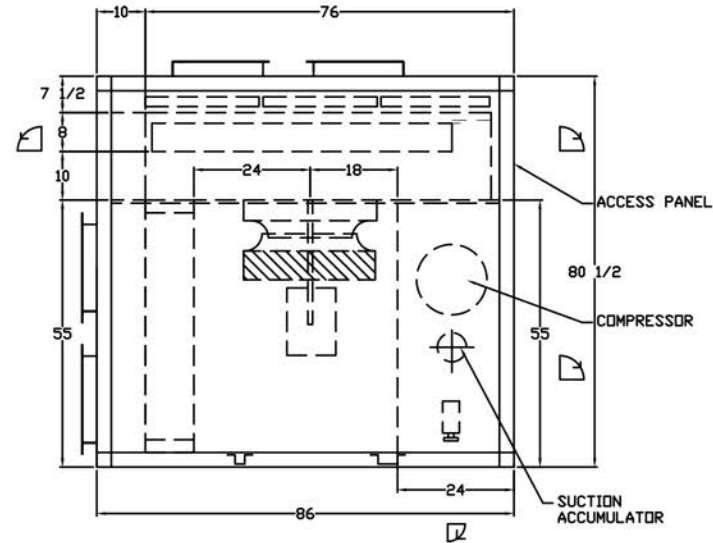
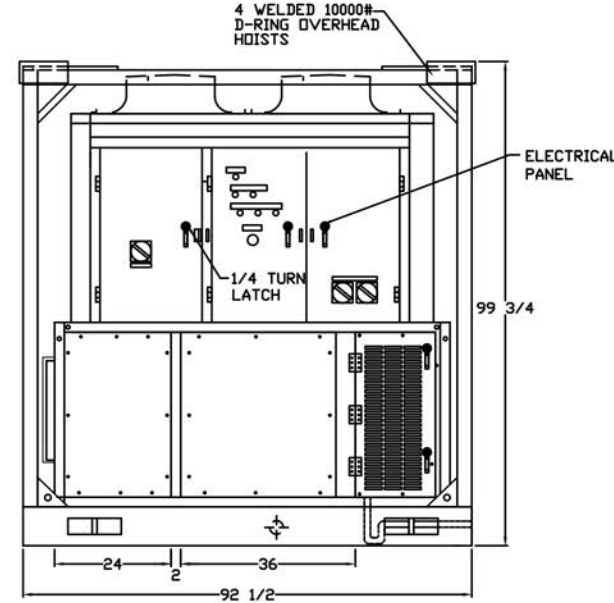
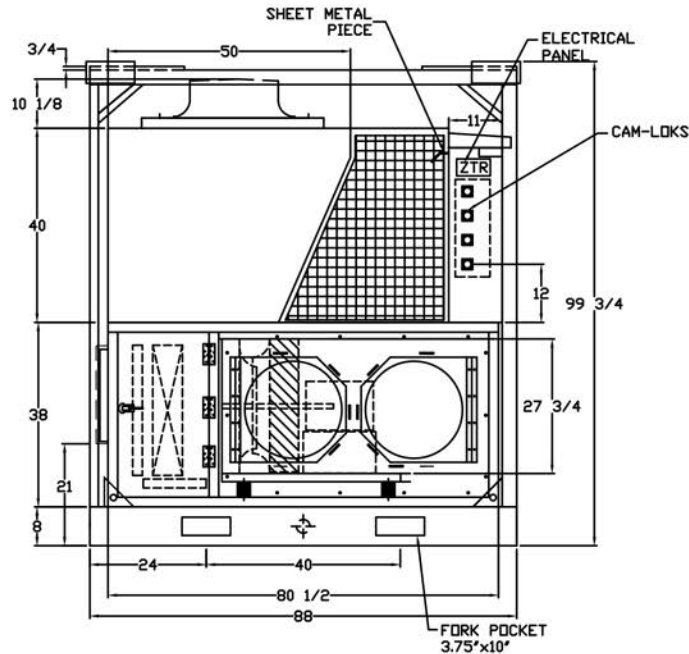


# CERTIFIED DRAWING

POWER SUPPLY: 460/3/60HZ



PLAN VIEW OF EVAP. BLOWER SECTION ONLY



ALL DIMENSIONS ARE IN INCHES UNLESS OTHERWISE SPECIFIED.

DRAWN BY	DATE
CHECKED BY	DATE
APPROVED BY	DATE

- 06. AS BUILT.
- 05. WIDTH WAS 92" & CHANGE FORK POCKET LOCATION.
- 04. REVISE DIMENSION AND FILTER SIZE.
- 03. REVISE DIMENSION.
- 02. REVISE DESIGN.
- 01. REVISE HEATER RATING

REV	DESCRIPTION	DATE	REV BY	CHK'D BY	APP'D BY



PROJECT	22178
F/O :	

MODEL	SACP42A-HS WITH HEAT
-------	----------------------

TITLE	AIR COOLED PACKAGED
-------	---------------------

DRAWING NO	S110840379
------------	------------

A4	SCALE : N.T.S	SHEET	OF
----	---------------	-------	----