


CERTIFIED DRAWING

HEATER : 5.33kW/ELEMENT
 3 STAGES, 9 ELEMENTS EACH
 POWER SUPPLY: 460/3/60HZ

ALL DIMENSIONS ARE IN INCHES UNLESS OTHERWISE SPECIFIED.

DRAWN BY	DATE
CHECKED BY	DATE
APPROVED BY	DATE

REV	DESCRIPTION	DATE	REV BY	CHK'D BY	APP'D BY



SMART FAMILY OF COOLING PRODUCTS
 www.SmartCoolingProducts.com 281-540-2805

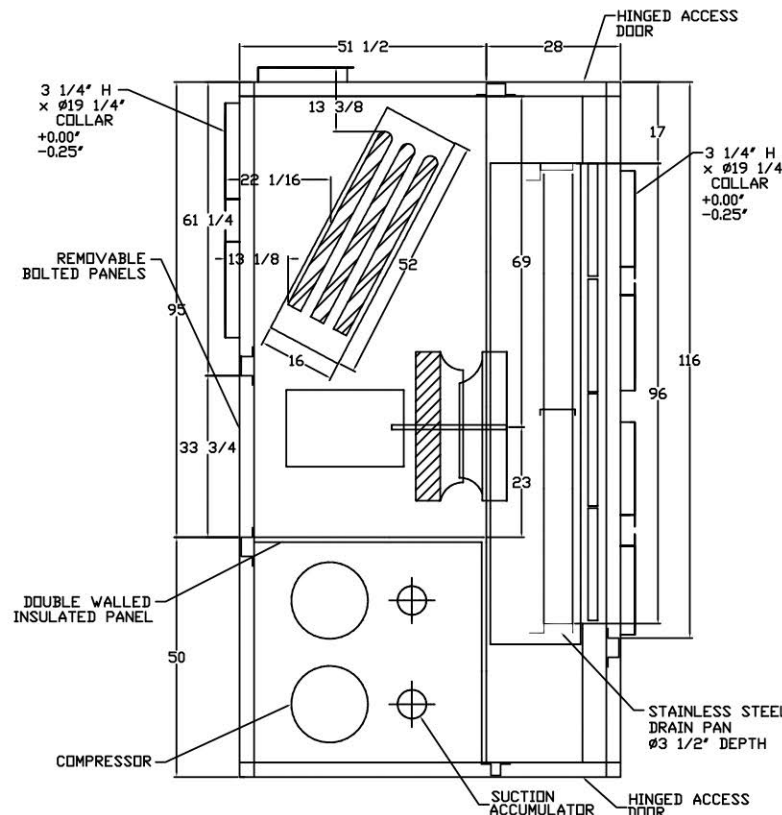
PROJECT
 F/O :

MODEL SACP 84A-HS

TITLE
 AIR COOLED PACKAGED

DRAWING NO S110840386

A4 SCALE : N.T.S SHEET OF



PLAN VIEW OF EVAP. BLOWER SECTION ONLY

