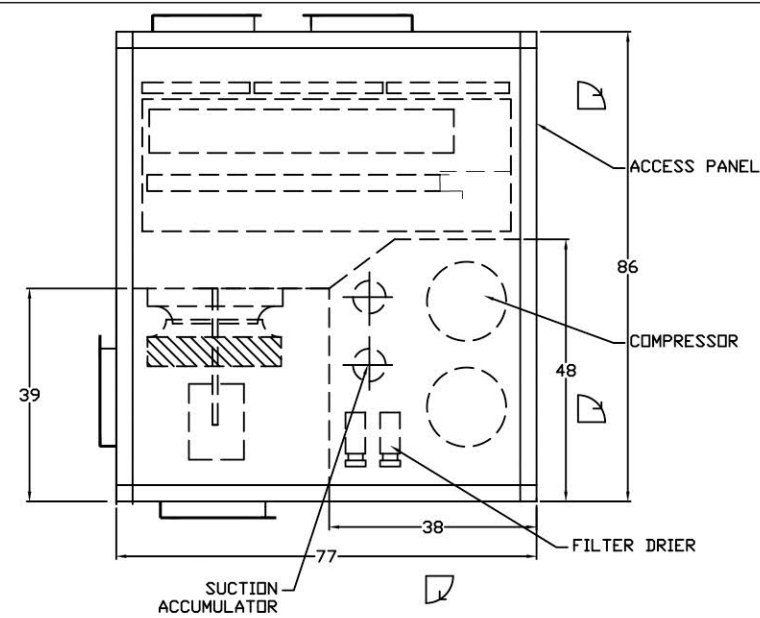


# CERTIFIED DRAWING

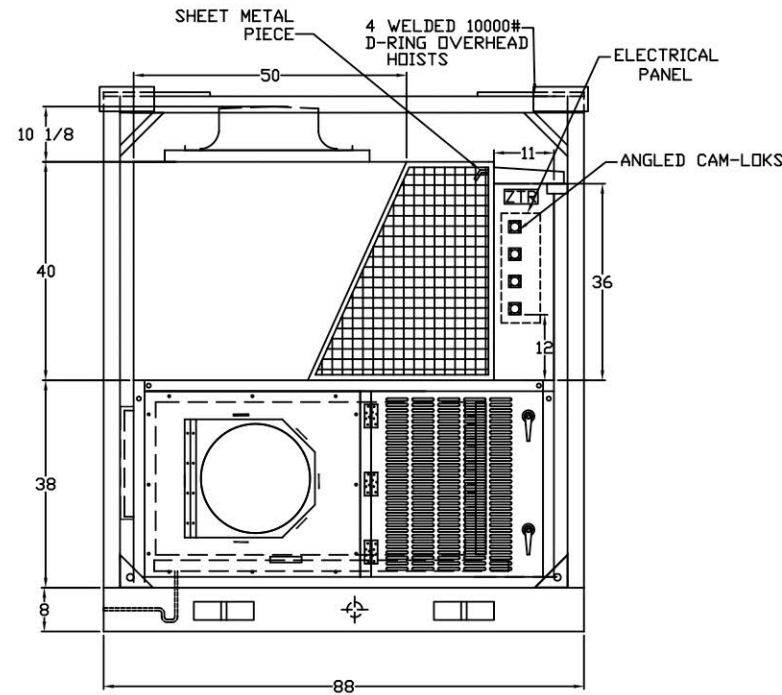
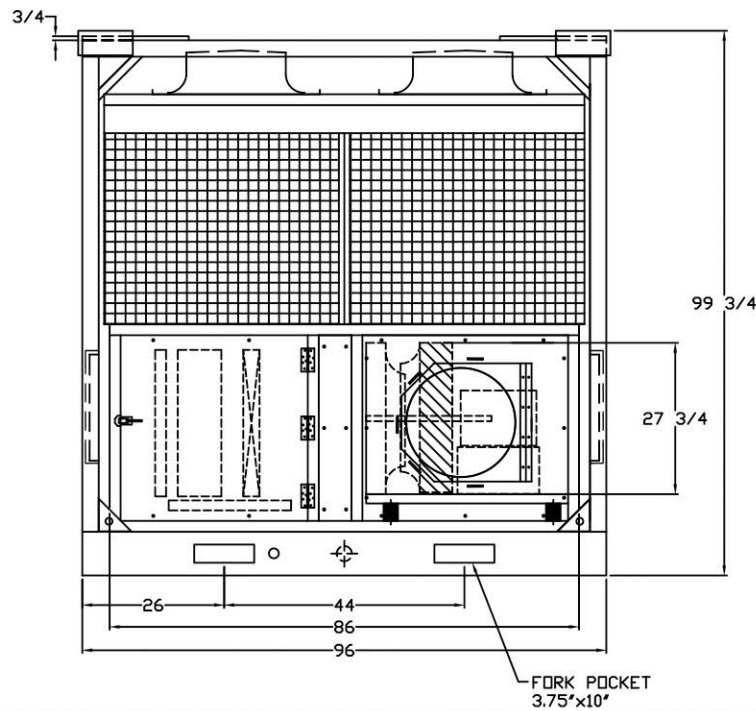
POWER SUPPLY: 460/3/60HZ

ALL DIMENSIONS ARE IN INCHES UNLESS OTHERWISE SPECIFIED.

DRAWN BY	DATE
CHECKED BY	DATE
APPROVED BY	DATE



PLAN VIEW OF EVAP. BLOWER SECTION ONLY



1 REVISE FILTER

REV	DESCRIPTION	DATE	REV BY	CHK'D BY	APP'D BY
-----	-------------	------	--------	----------	----------



PROJECT 23011

F/O :

MODEL SHCP 46A-HS

TITLE REFRIGERATED DRIER

DRAWING NO S110840469

A4 SCALE : N.T.S SHEET OF