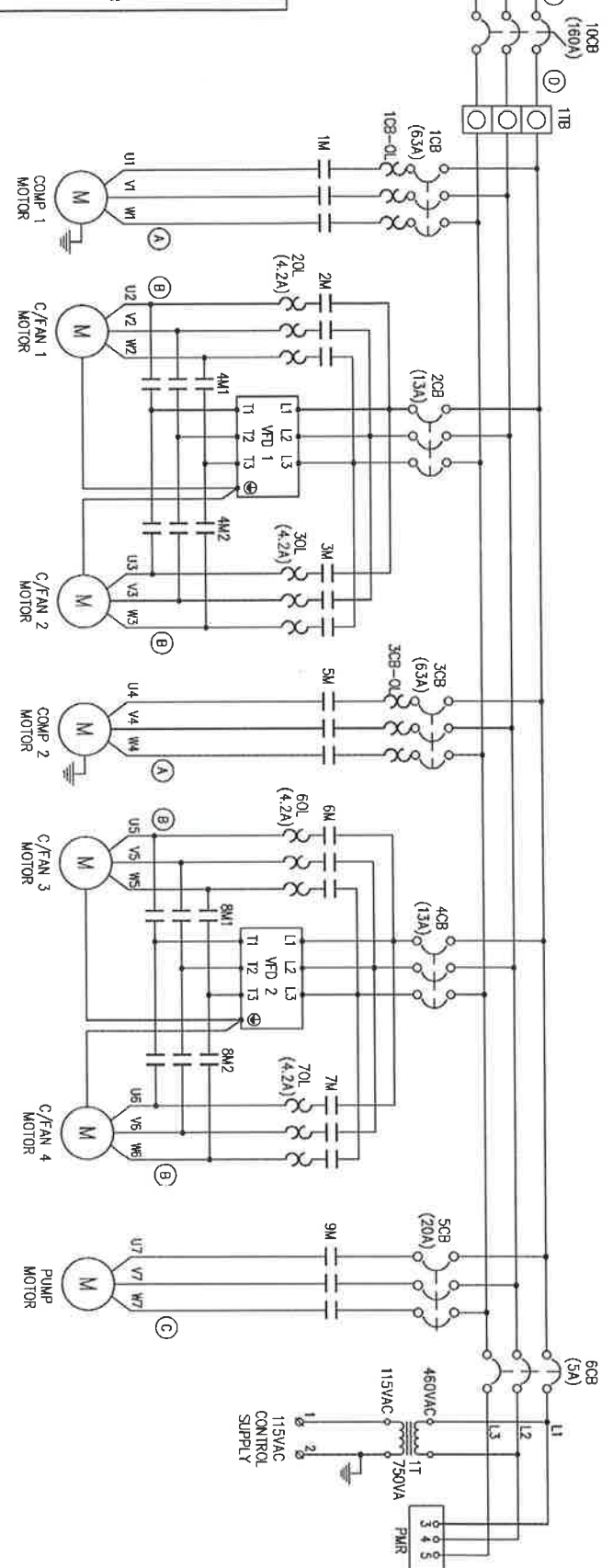


480V/3PH/60Hz  
 PROTECTED POWER SOURCE.  
 IF MCA LESS THAN 100A,  
 USE 60°C TYPE CABLE.  
 IF MCA MORE THAN 100A,  
 USE 75°C TYPE CABLE.  
 COPPER CONDUCTORS ONLY.



- LEGEND**
- AFS AIR FLOW SWITCH
  - CB CIRCUIT BREAKER
  - CO CONVENIENT OUTLET
  - Q.G. COOLING
  - OR CONTROL RELAY
  - ES EMERGENCY SWITCH
  - FC FRESH FLOW
  - FLA FULL LOAD AMPS
  - FU FUSE
  - GFQ GROUND FAULT CIRCUIT INTERRUPTOR
  - GPQ GROUND POWER
  - HP HORSE POWER
  - HP HIGH PRESSURE SWITCH
  - HPL HIGH PRESSURE LIMIT
  - HTE HIGH TEMPERATURE
  - ITS INTERNAL THERMAL SENSOR
  - J JUMPER
  - KW KIDWANT
  - USA LIQUID LINE SENSING
  - URA LOCKED ROTOR AMPS
  - LP LOW PRESSURE SWITCH
  - M CONTACTOR
  - MP MOTOR PROTECTOR
  - MCA MINIMUM CIRCUIT AMPS
  - MCS INCLUDED CASE CIRCUIT BREAKER
  - MFS MAXIMUM FUSE SIZE
  - OL OVERLOAD PROTECTOR
  - PL PILOT LIGHT
  - PMR PHASE MONITOR RELAY
  - POT POTENTIOMETER
  - RA RATED LOAD AMPS
  - RA RATED LOAD AMPS
  - SA SUPPLY AIR
  - STG SWITCH
  - SW SWITCH
  - TB TERMINAL BLOCK
  - TR TIMER RELAY
  - T TRANSFORMER
  - TAS THERMOSTAT
  - TS TEMP. SENSOR
  - R RED
  - G GREEN
  - A AMBER
  - VFD VARIABLE FREQ. DRIVE
  - \* FIELD SUPPLY
  - MANUAL RESET
  - FACTORY WIRING
  - FIELD WIRING
  - SEE NOTE 'A'
  - CAW-LOCK

**ELECTRICAL DATA**

| MOTOR     | HP   | FLA  | URA  |
|-----------|------|------|------|
| COMP 1-2  | 38.5 | 48A  | 310A |
| C/FAN 1-4 | 2.5  | 4.2A | 25A  |
| PUMP      | 10   | 14A  | 81A  |

**UNIT DATA**

| FLA | 126.8A |
|-----|--------|
| MCA | 139A   |
| MFS | 160A   |

**SET POINTS**

| FC             | 38° MANUAL RESET             |
|----------------|------------------------------|
| HP             | 56.0° MANUAL RESET           |
| LP             | 6.9° MANUAL RESET            |
| 2HP            | 35.0° CUT IN / 29.5° CUT OUT |
| 3HP            | 40.0° CUT IN / 34.5° CUT OUT |
| TR ZTR         | 20SECC                       |
| 10B-01, 30B-01 | 58A                          |
| 2, 3, 6, 7, 0L | 4.2A                         |
| FLS            | 100CFM/AUTO RESET            |

**CABLE SIZE**

CONTROL - 14AWG

A - 6AWG, BLACK

B - 12AWG, BLACK

C - 10AWG, BLACK

D - 2/0AWG, BLACK

THIS DOCUMENT IS THE PROPERTY OF SMARTTECH AND SHOULD NOT BE DISCLOSED OR USED WITHOUT THE EXPRESSED CONSENT OF COMPANY

PROJECT: SCROLL RENTAL CHILLER



| REV. | DESCRIPTION         | DATE     | REV. BY | CHK'D. BY | APP'D. BY |
|------|---------------------|----------|---------|-----------|-----------|
| 02-  | REVISED AS REVIEWED | 31.03.17 | JUN     |           |           |
| 01-  | REVISED AS REVIEWED | 27.02.17 | JUN     | Hanitt    | LOW KC    |

| DRAWN BY: | DATE:      | CHECKED BY: | DATE:      | APPROVED BY: | DATE:      |
|-----------|------------|-------------|------------|--------------|------------|
| JUN       | 19/01/2017 | LOW KC      | 19/01/2017 | LOW KC       | 19/01/2017 |

MODEL: SCOD 060AR4

UNIT NO: 19172

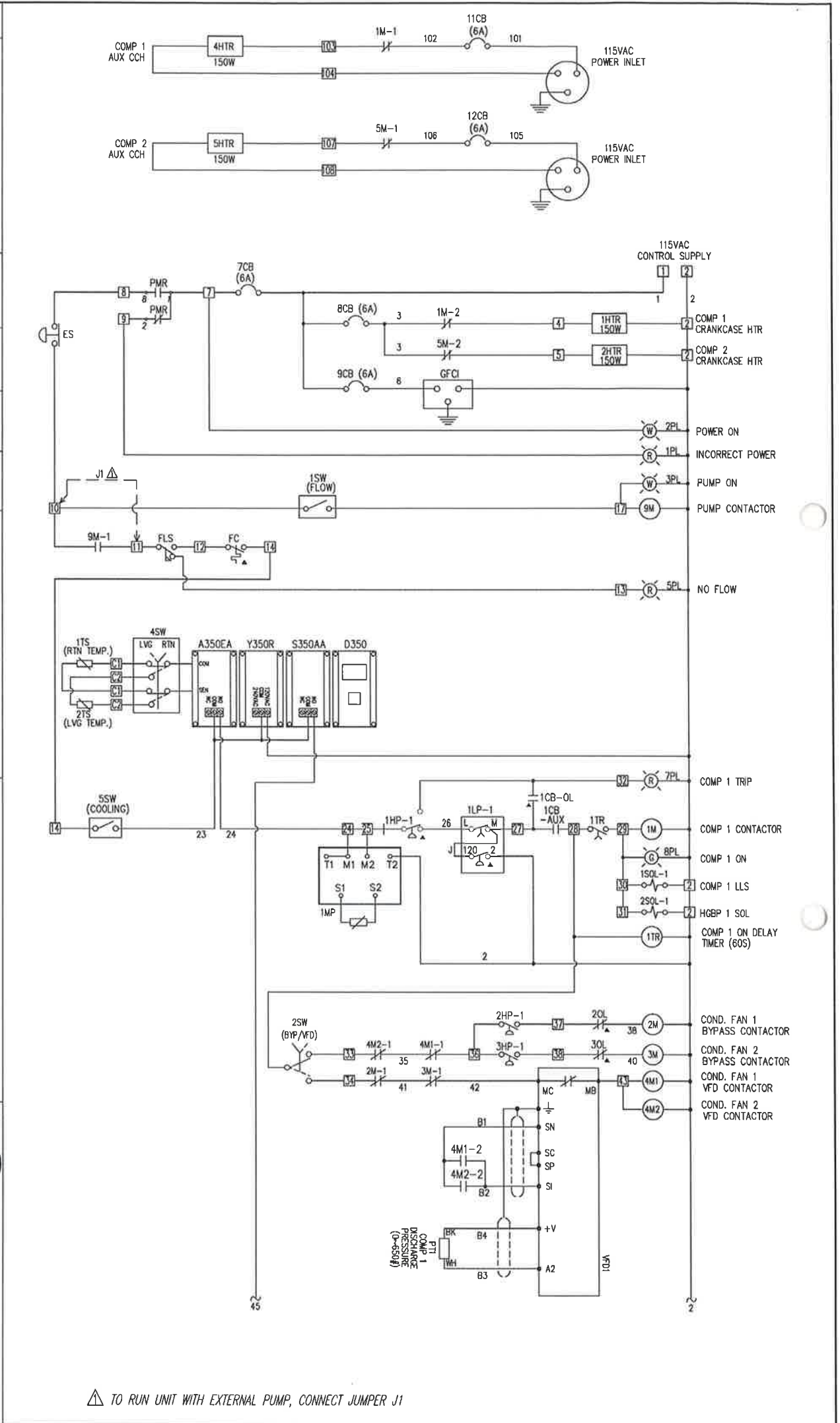
TITLE: SCHEMATIC WIRING DIAGRAM

DRAWING NO: S210720153

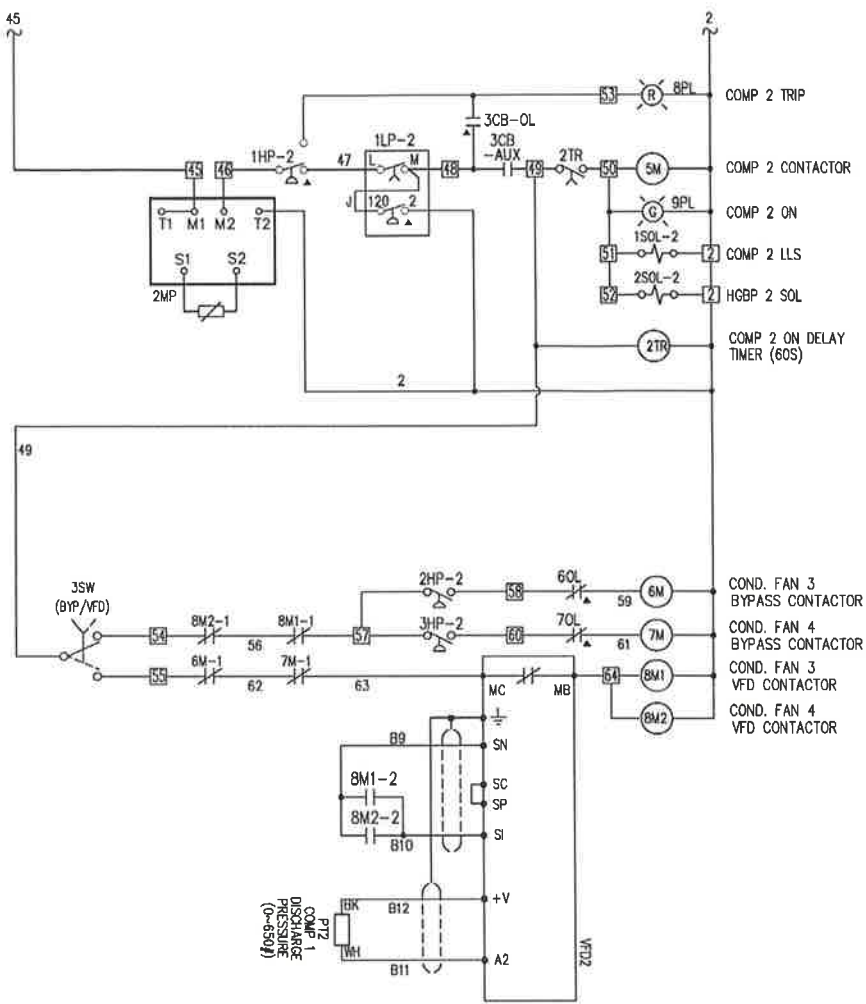
SHEET 1 OF 5

F.O NO: SBG 500211

|   |   |                      |            |           |           |  |            |   |        |          |
|---|---|----------------------|------------|-----------|-----------|--|------------|---|--------|----------|
| REV.  | DESCRIPTION                             | DATE                 | REV. BY    | CHK'D. BY | APP'D. BY | APPROVED BY:                             | DATE:      | UNIT NO:                                  | SHEET  | F.O. NO: |
| 02.<br>01.  | UPDATE NUMBERING<br>REVISED AS REVIEWED | 31.03.17<br>27.02.17 | JUN<br>JUN | Hant      | LOW KC    | LOW KC                                   | 19/01/2017 | 19172                                     | 2 OF 5 | 5020211  |
| THIS DOCUMENT IS THE PROPERTY OF SMARTTECH AND SHOULD NOT BE DISCLOSED OR USED WITHOUT THE EXPRESSED CONSENT OF COMPANY |   |                      |            |           |           | PROJECT:<br><b>SCROLL RENTAL CHILLER</b> |            | MODEL:<br><b>SCOD 060AR4</b>              |        |          |
| DRAWN BY: JUN<br>CHECKED BY:<br>DATE:   |   |                      |            |           |           | DATE: 19/01/2017                         |            | TITLE:<br><b>SCHEMATIC WIRING DIAGRAM</b> |        |          |
| APPROVED BY: LOW KC<br>DATE: 19/01/2017   |   |                      |            |           |           | DRAWING NO: S210720153                   |            | www.smartcoolingproducts.com 201-540-8935 |        |          |



△ TO RUN UNIT WITH EXTERNAL PUMP, CONNECT JUMPER J1



THIS DOCUMENT IS THE PROPERTY OF SMARTTECH AND SHOULD NOT BE DISCLOSED OR USED WITHOUT THE EXPRESSED CONSENT OF COMPANY

PROJECT:  
**SCROLL RENTAL CHILLER**

TITLE:  
**SCHEMATIC WIRING DIAGRAM**

|      |                     |          |         |             |           |
|------|---------------------|----------|---------|-------------|-----------|
| REV. | DESCRIPTION         | DATE     | REV. BY | CHK'D. BY   | APP'D. BY |
| 02.  | UPDATE NUMBERING    | 31.03.17 | JUN     | <i>Hans</i> | LOW KC    |
| 01.  | REVISED AS REVIEWED | 27.02.17 | JUN     |             |           |

|           |            |             |            |              |            |
|-----------|------------|-------------|------------|--------------|------------|
| DRAWN BY: | DATE:      | CHECKED BY: | DATE:      | APPROVED BY: | DATE:      |
| JUN       | 19/01/2017 | LOW KC      | 19/01/2017 | LOW KC       | 19/01/2017 |

MODEL:  
**SCOD 060AR4**

UNIT NO:  
**19172**

DRAWING NO: **S210720153**

SHEET **3** OF **5**

F.O NO: **SEB 500211**

