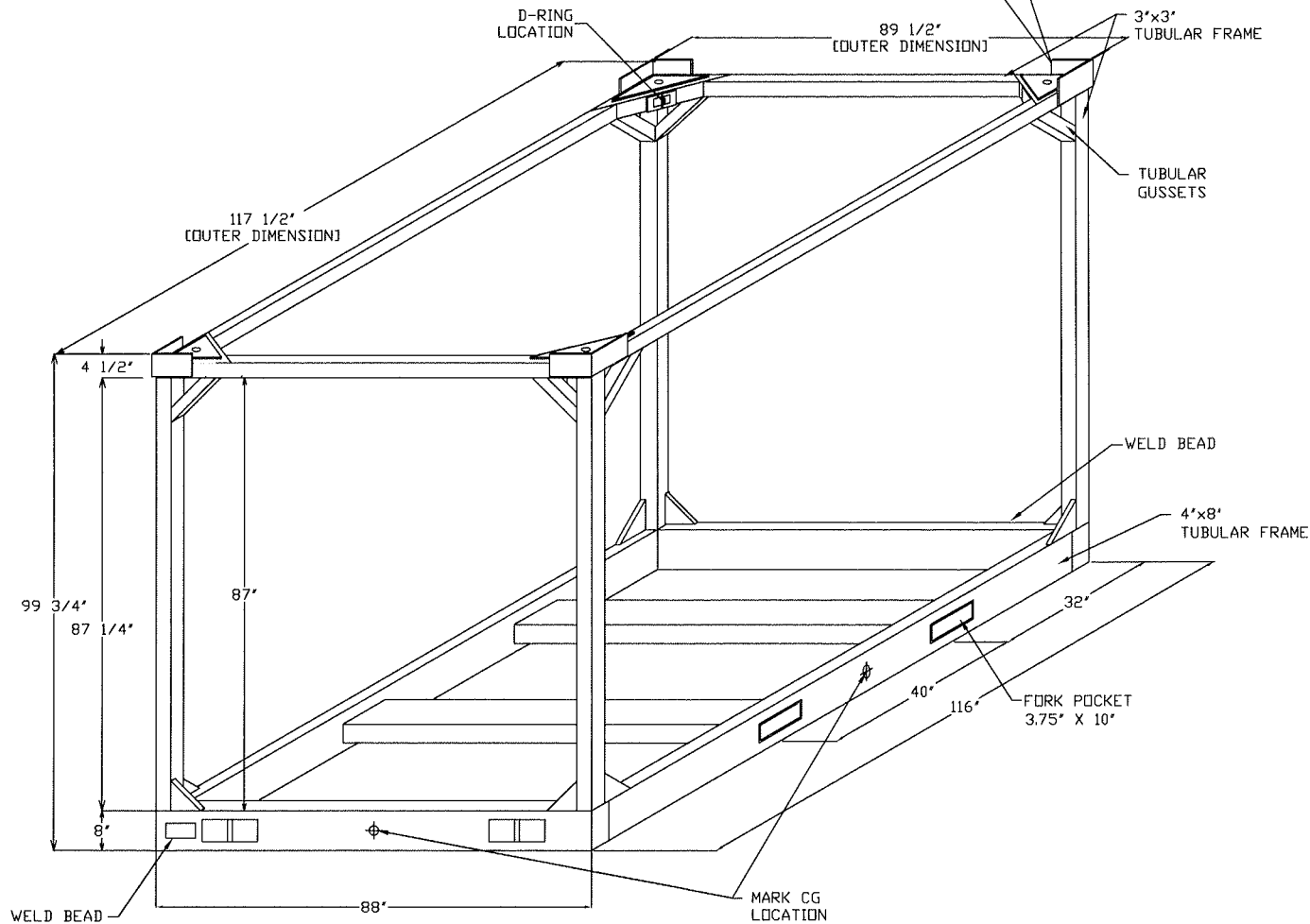
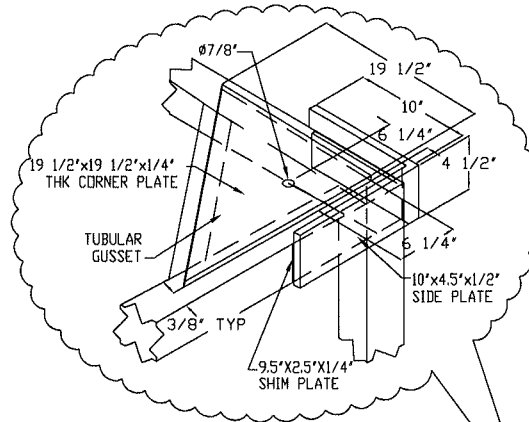


NOTE:

1. ALL DIMENSION TOLERANCE  $\pm 1/2"$  UNLESS SPECIFIED
2. HOT DIPPED GALVANIZED TUBULAR BASE & FRAME (PAINTED BLACK)
3. FORK POCKETS TOLERANCE
  - i) HEIGHT ;  $3.75" + 0.25"/- 0.00"$
  - i) LENGTH ;  $10" + 0.25"/- 0.00"$
4. FRAME WITH TUBULAR GUSSETS
5. FULL SEAL TYPE WELDS

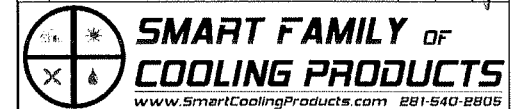


**CERTIFIED DRAWING**

ALL DIMENSIONS ARE IN INCHES UNLESS OTHERWISE SPECIFIED.

DRAWN BY	ANG	DATE	05/12/2016
CHECKED BY	DJ	DATE	05/12/2016
APPROVED BY	SP	DATE	05/12/2016

01.	REVISED FORK POCKET LOCATION	07.12.16	ANG		
REV	DESCRIPTION	DATE	REV BY	CHK'D BY	APP'D BY



THIS DOCUMENT IS THE PROPERTY OF SMARTECH AND SHOULD NOT BE DISCLOSED OR USED WITHOUT THE EXPRESSED CONSENT OF COMPANY

PROJECT	19100
F/O :	

MODEL	SACP 40TA-HS
-------	--------------

TITLE	HOLLOW BEAM FRAME
-------	-------------------

DRAWING NO	S110840198-01
------------	---------------

A4	SCALE : N.T.S	SHEET	OF
----	---------------	-------	----