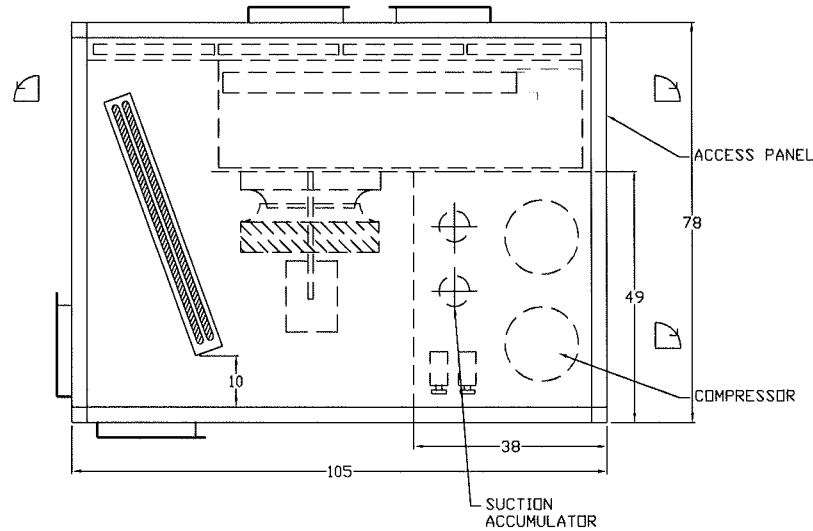


CERTIFIED DRAWING

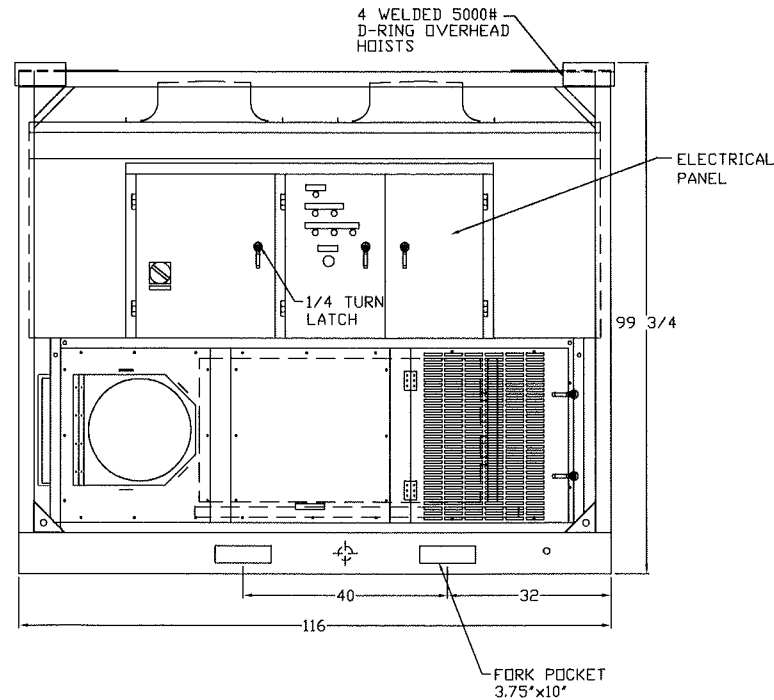
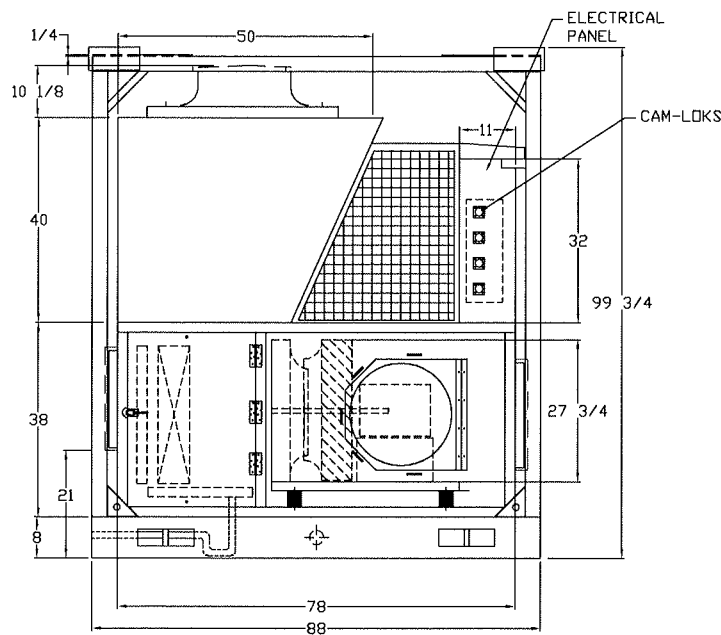
COMP. : CPR27021
 COND. COIL : 4Rx14FPI
 COND. CIR. : 16 Circuits
 S/C CIR. : 4 Circuits
 EVAP. COIL : 5Rx12FPI
 COND. FAN : BLW27018 Assembly
 MOTOR : BLW27018 Assembly
 BLOWER : BLW27016
 HEATER : E-HTR27018
 : 2 Stage, 9 Elements Ea
 POWER SUPPLY : 460/3/60

ALL DIMENSIONS ARE IN INCHES UNLESS OTHERWISE SPECIFIED.

DRAWN BY	ANG	DATE	05/12/2016
CHECKED BY	DJ	DATE	05/12/2016
APPROVED BY	SP	DATE	05/12/2016



PLAN VIEW OF EVAP. BLOWER SECTION ONLY



01.	REVISED FORK POCKET LOCATION	07.12.16	ANG		
REV	DESCRIPTION	DATE	REV BY	CHK'D BY	APP'D BY



THIS DOCUMENT IS THE PROPERTY OF SMARTECH AND SHOULD NOT BE DISCLOSED OR USED WITHOUT THE EXPRESSED CONSENT OF COMPANY

PROJECT 19100

F/O :

MODEL SACP 40TA-HS

TITLE
AIR COOLED PACKAGED

DRAWING NO S110840198

A4 SCALE : N.T.S SHEET OF