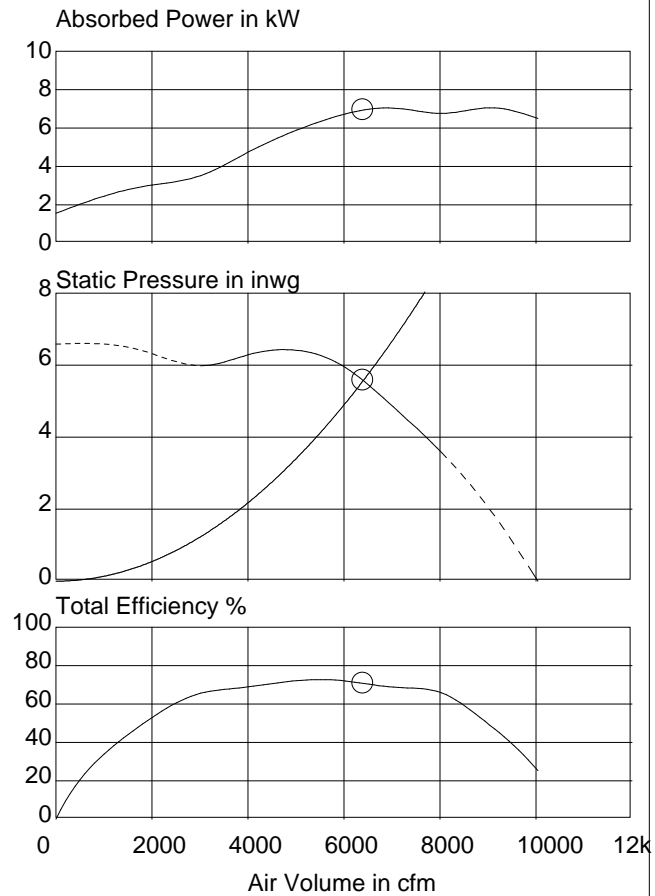


Date  
 Company  
 Attention  
 Project 19100  
 Reference SACP 40TA-HS with Heat  
 Notes

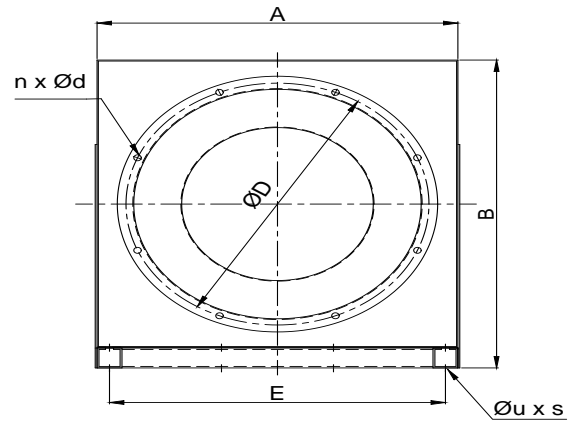
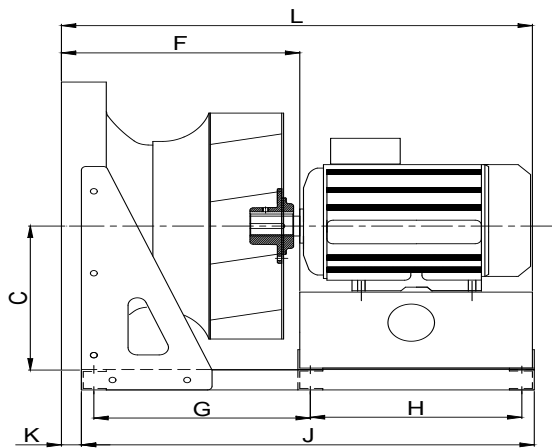


**SMART FAMILY OF  
 COOLING PRODUCTS**  
 1118 First St. E. Humble TX 77338 281-540-2805  
 TACLA1495C | Registered dba of Combined Refrigeration, Inc.

Fan Type	txt_SISWAirfoilCurved
Unit	BLW27015 (CLII)
Operating Conditions	Radial w/o bellmouth
Air Volume	6400 cfm
Static Pressure	5.57 inwg
Velocity Pressure	0.56 inwg
Total Pressure	6.13 inwg
Outlet Velocity	15.39 m/s
Fan Total Efficiency	70.7 %
Fan Static Efficiency	64.6 %
Fan Speed	2234 rpm
Air Temperature	20.0 °C
Altitude	0 m
Fan Absorbed Power	6.94 kW
Motor Installed Power	D132S ( 7.50 kW 60 Hz 2p )
Motor Speed	-
Service Factor	0 %
Plenum Size	1020 x 1020 x 1176 mm
Outlet Size	443 x 443 mm
Rec. Airflow Variation	0
Fan Pulley / Bush / Shaft	-
Motor Pulley / Bush / Shaft	-
Belt Length	-
Number of Belts / f	-
Static Belt Tension/Belt	-
Belt Deflection	-
Belt Speed (<40m/s)	-
Bearing Life ( L10 / L50 )	-
Starting Torque	-
<b>Operating Limits</b>	
Max. Absorbed Power	12.00 kW
Max. Fan Speed	2600 rpm
Temperature (Min-Max)	-20° to +85°C



Hz	63	125	250	500	1k	2k	4k	8k	Overall
Lwi(Lin)	76	79	78	84	82	76	75	72	88 dB
Lwi(A)	51	64	69	81	82	77	76	71	86 dB(A)
Lpi(A)	44	57	62	74	74	70	69	64	78 dB(A)
* Sound data is for the inlet side									
* Sound Pressure Level 1m, Room Conditions									



A	B	C	D	E	F	G	H	J	K	L	UxS	NxS
630	680	315	540	580	428	395	362	807	33	840	13x18	8x12