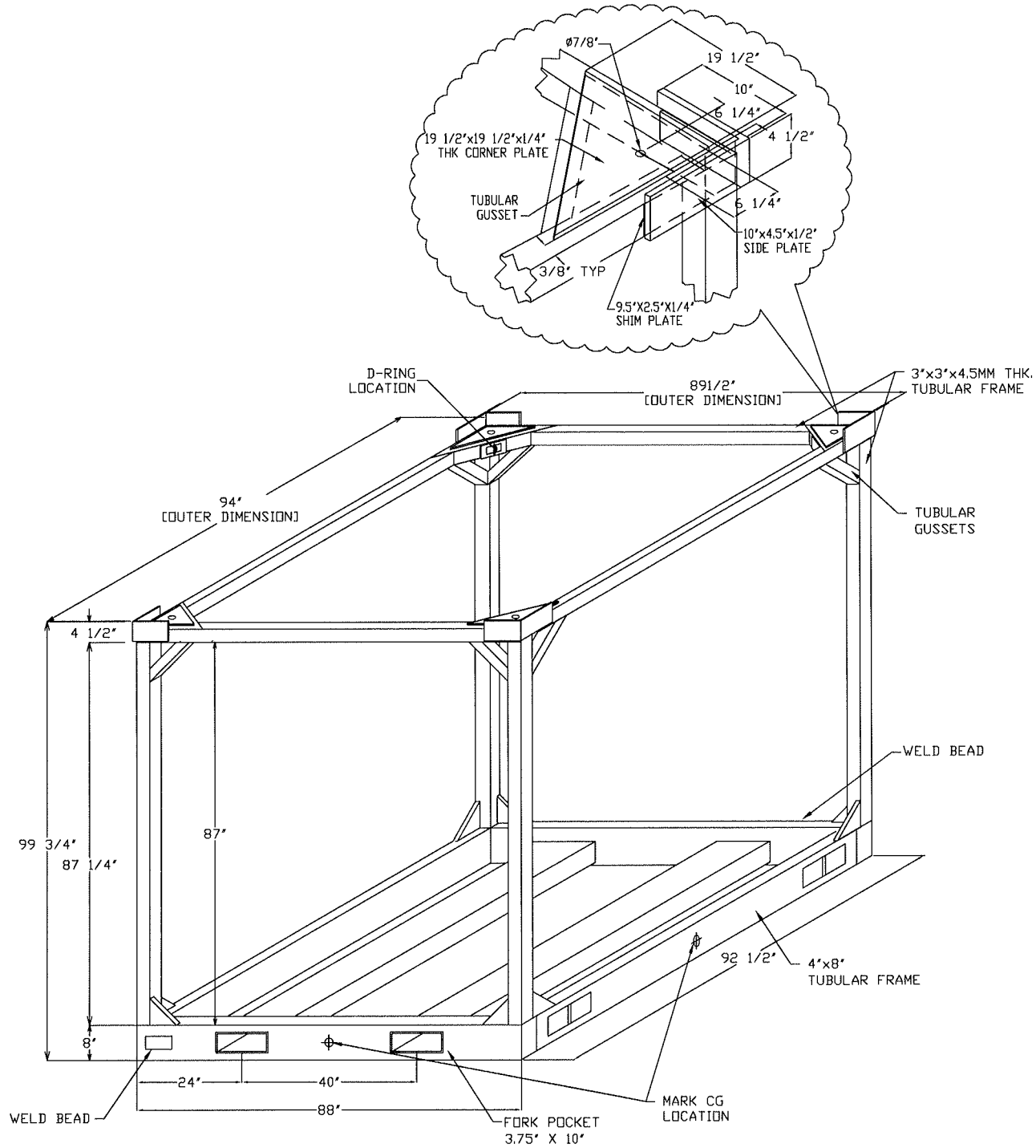



# CERTIFIED DRAWING



ALL DIMENSIONS ARE IN INCHES UNLESS OTHERWISE SPECIFIED.

DRAWN BY	ANG	DATE	01/12/2016
CHECKED BY	DJ	DATE	03/12/2016
APPROVED BY	SP	DATE	03/12/2016

01.	FORK POCKETS DISTANCE WAS 44"	05.12.16	ANG	DR
REV	DESCRIPTION	DATE	REV BY	CHK'D APP'D BY


**SMART FAMILY OF COOLING PRODUCTS**  
[www.SmartCoolingProducts.com](http://www.SmartCoolingProducts.com) 881-540-2805

THIS DOCUMENT IS THE PROPERTY OF SMARTECH AND SHOULD NOT BE DISCLOSED OR USED WITHOUT THE EXPRESSED CONSENT OF COMPANY

PROJECT	19099
F/O :	

MODEL	SACP 40TA-HS
-------	--------------

TITLE  
HOLLOW BEAM FRAME

DRAWING NO S110840197-01

A4	SCALE : N.T.S	SHEET	OF
----	---------------	-------	----