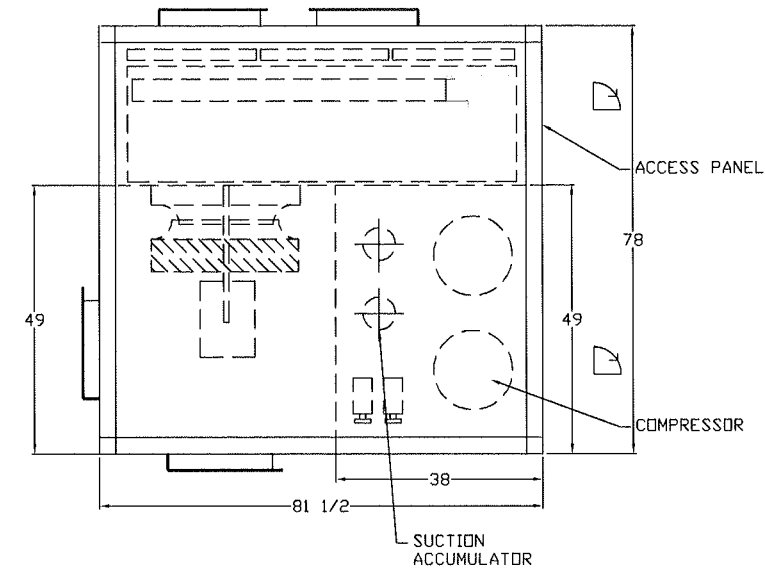


CERTIFIED DRAWING

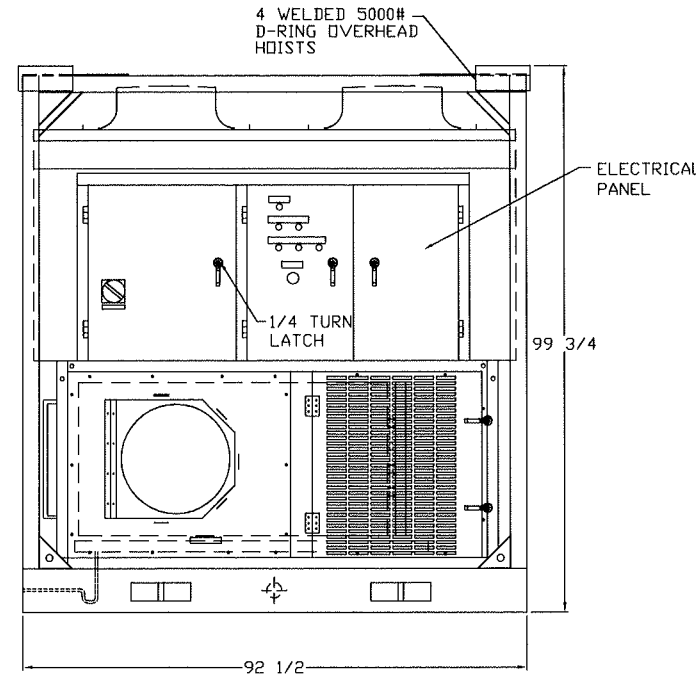
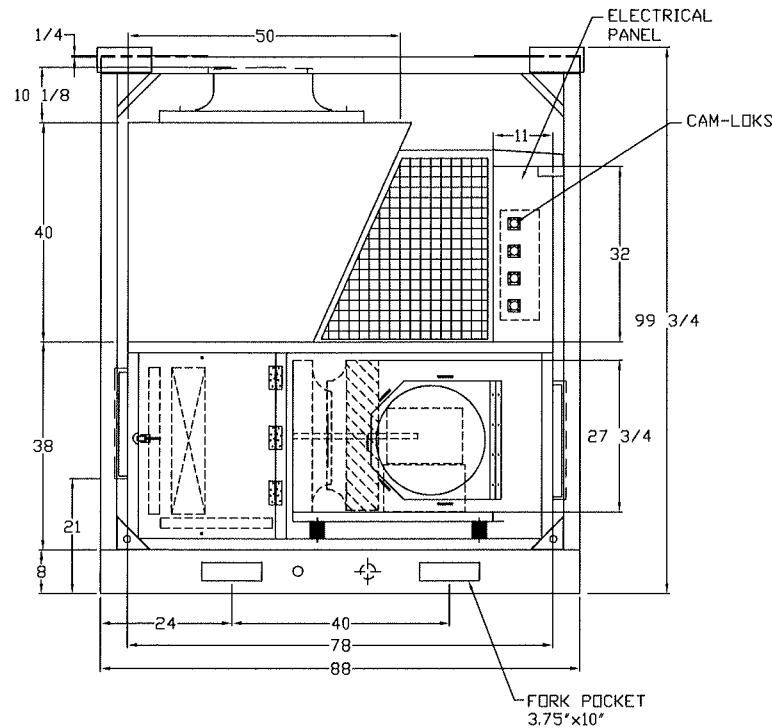
COMP. : CPR27067
 COND. COIL : 4Rx14FPI (4)
 COND. CIR. : 10tons/circ
 S/C CIR. : 2tons/circ
 EVAP. COIL : 5Rx12FPI (1)
 COND. FAN : BLW27018
 MOTOR : BLW27018
 BLOWER : BLW27015
 POWER SUPPLY : 460/3/60

ALL DIMENSIONS ARE IN INCHES UNLESS OTHERWISE SPECIFIED.


DRAWN BY	ANG	DATE	01/12/2016
CHECKED BY	DJ	DATE	03/12/2016
APPROVED BY	SP	DATE	03/12/2016



PLAN VIEW OF EVAP. BLOWER SECTION ONLY



01.	FORK POCKETS DISTANCE WAS 44"	05.12.16	ANG		
REV	DESCRIPTION	DATE	REV BY	CHK'D BY	APP'D BY


SMART FAMILY OF COOLING PRODUCTS
 www.SmartCoolingProducts.com 881-540-8805

THIS DOCUMENT IS THE PROPERTY OF SMARTECH AND SHOULD NOT BE DISCLOSED OR USED WITHOUT THE EXPRESSED CONSENT OF COMPANY

PROJECT : 19099
 F/O :

MODEL : SACP 40TA-HS

TITLE :
 AIR COOLED PACKAGED

DRAWING NO : S110840197

A4 SCALE : SHEET OF