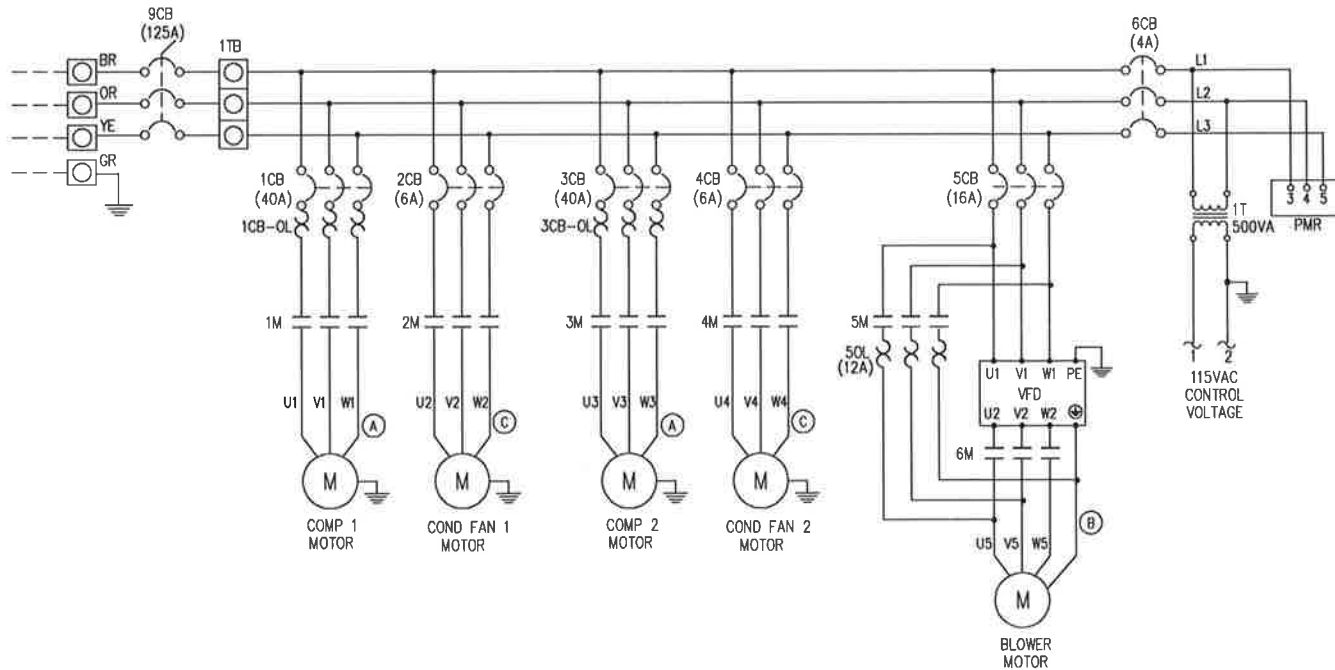


460V/3PH/60Hz
PROTECTED POWER SOURCE.
IF MCA LESS THAN 100A,
USE 60° TYPE CABLE.
IF MCA MORE THAN 100A,
USE 75° TYPE CABLE.
COPPER CONDUCTORS ONLY.



CABLE SIZE
CONTROL - 14AWG
A - 6AWG, BLACK
B - 10AWG, BLACK
C - 12AWG, BLACK

ELECTRICAL DATA

MOTOR	HP/KW	RLA	LRA
BLOWER	10HP	11.6A	81A
COMP 1&2	20HP	31A	225A
C/FAN 1&2	2HP	4.0A	25A

UNIT DATA


FLA	81.8A
MCA	89A
MFS	125A

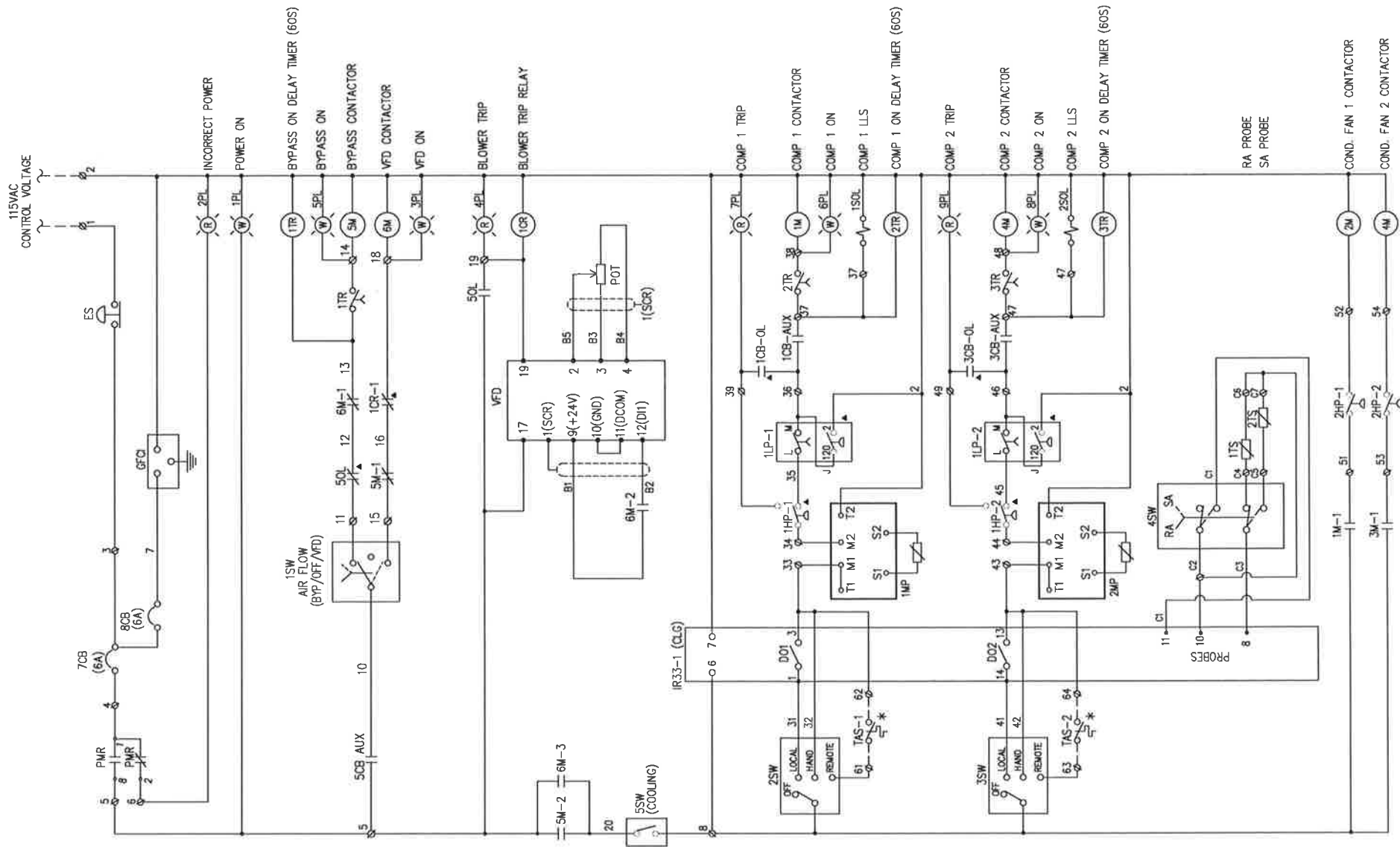
SET POINTS

1HP	560#/MANUAL RESET
2HP	350#/CUT IN/295# CUT-OUT
1LP	65#/MANUAL RESET
1TR, 2TR, 3TR	60 SEC
1CB-OL, 3CB-OL	38A
5OL	12A
IR33 SETTINGS	
IR33-1 (CLG)	70F (BY RA PROBE) 55F (BY SA PROBE)

LEGEND

- AFS - AIR FLOW SWITCH
- CB - CIRCUIT BREAKER
- CO - CONVENIENT OUTLET
- CR - CONTROL RELAY
- ES - EMERGENCY SWITCH
- FLA - FULL LOAD AMPS
- FU - FUSE
- GFCI - GROUND FAULT CIRCUIT INTERRUPTOR
- Hp - HORSE POWER
- HP - HIGH PRESSURE SWITCH
- HTL - HIGH TEMPERATURE LIMIT
- ITS - INTERNAL THERMAL SENSOR
- J - JUMPER
- KW - KILOWATT
- LLS - LIQUID LINE SOLENOID
- LRA - LOCKED ROTOR AMPS
- LP - LOW PRESSURE SWITCH
- M - CONTACTOR
- MP - MOTOR PROTECTOR
- MCA - MINIMUM CIRCUIT AMPS
- MCCB - MOULDED CASE CIRCUIT BREAKER
- MFS - MAXIMUM FUSE SIZE
- OL - OVERLOAD PROTECTOR
- PL - PILOT LIGHT
- PMR - PHASE MONITOR RELAY
- POT - POTENTIOMETER
- RLA - RATED LOAD AMPS
- STG - STAGE
- SW - SWITCH
- TB - TERMINAL BLOCK
- TR - TIMER RELAY
- T - TRANSFORMER
- TS - TEMP. SENSOR
- R - RED
- G - GREEN
- A - AMBER
- VFD - VARIABLE FREQ. DRIVE
- * - FIELD SUPPLY
- ▲ - MANUAL RESET
- - FACTORY WIRING
- - - - - FIELD WIRING
- △ - SEE NOTE 'h'
- ⊗ - CAM-LOCK

						THIS DOCUMENT IS THE PROPERTY OF SMARTECH AND SHOULD NOT BE DISCLOSED OR USED WITHOUT THE EXPRESSED CONSENT OF COMPANY		PROJECT: 40 Ton rental AC unit			
						DRAWN BY: HANIS DATE: 02.12.2016		MODEL: SACP 40TA-HS			
						CHECKED BY: DATE:		UNIT NO: 19099		DRAWING NO: S210840182	
						APPROVED BY: DATE: 5/12/16				F.O NO: SEG 500196	
REV.	DESCRIPTION	DATE	REV. BY	CHK'D. BY	APP'D BY	APPROVED BY:				SHEET 1 OF 4	




REV.	DESCRIPTION	DATE	REV. BY	CHK'D. BY	APP'D BY

THIS DOCUMENT IS THE PROPERTY OF SMARTECH AND SHOULD NOT BE DISCLOSED OR USED WITHOUT THE EXPRESSED CONSENT OF COMPANY

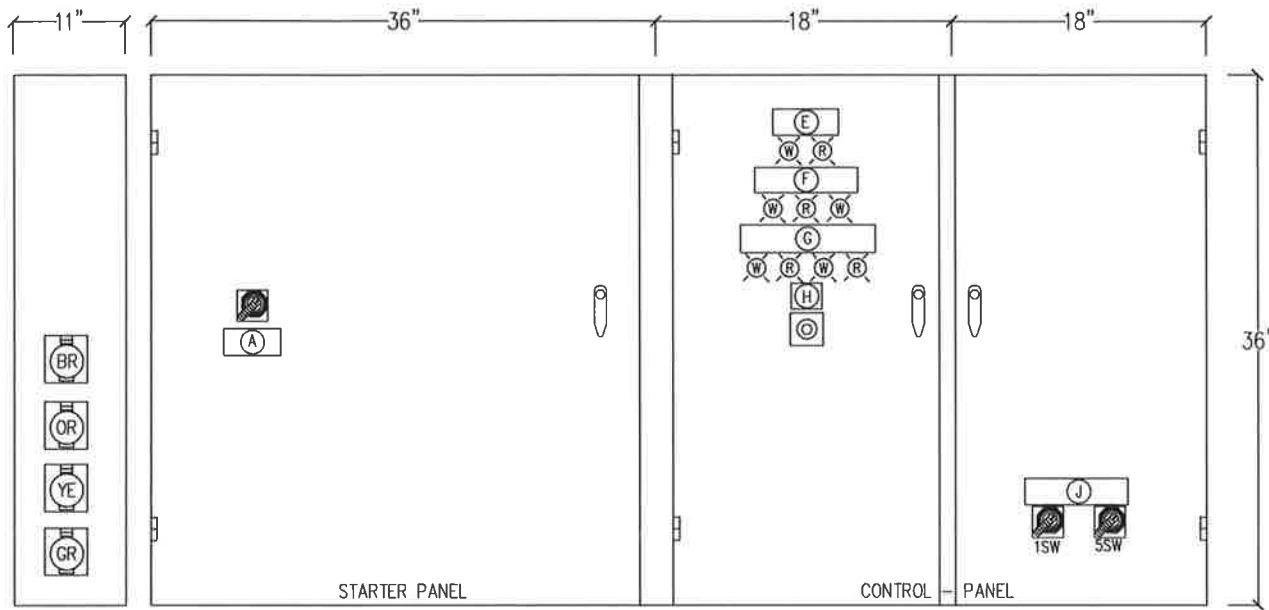
DRAWN BY:	HANIS	DATE:	02.12.2016
CHECKED BY:		DATE:	
APPROVED BY:		DATE:	8/12/16

PROJECT:	40 Ton rental AC unit
MODEL:	SACP 40TA-HS
UNIT NO:	19099



SMART FAMILY OF COOLING PRODUCTS
www.SmartCoolingProducts.com 881-540-2805

TITLE:	SCHEMATIC WIRING DIAGRAM	
DRAWING NO:	S210840182	F.O NO: SEG 500198
SHEET	2 OF 4	

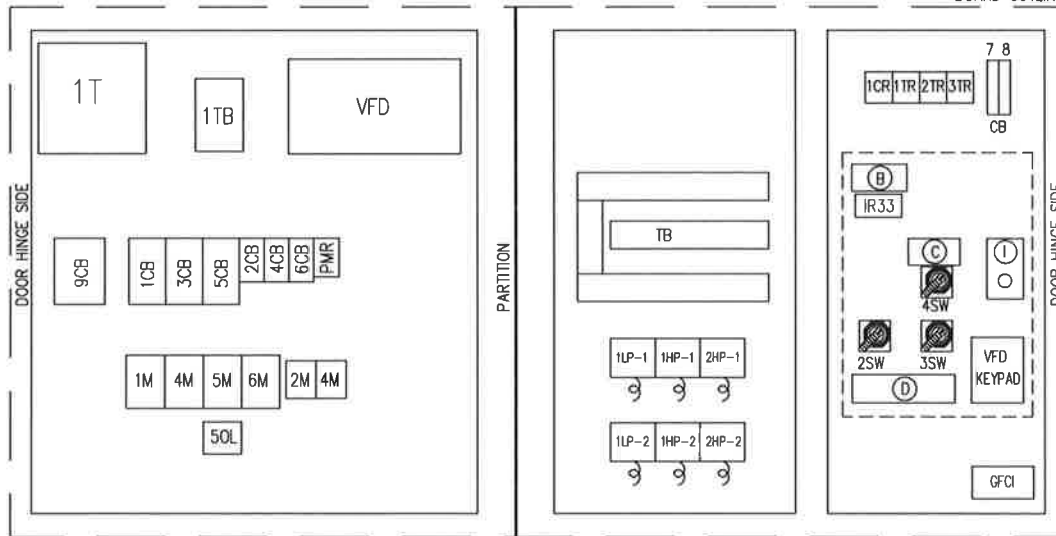


CAM-LOK

STARTER PANEL

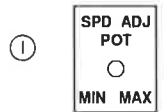
CONTROL PANEL



BOARD OUTLINE



TAGS: -

- (A) MAIN CIRCUIT BREAKER
- (B) IR33-1 CLG
- (C) CLG PROBE SELECTION
- (D) COMPRESSOR1 COMPRESSOR2
- (E) CONTROL POWER ON INCORRECT POWER
- (F) VFD RUNNING BLOWER TRIP BYPASS RUNNING
- (G) COMPRESSOR1 RUNNING COMPRESSOR1 TRIP COMPRESSOR2 RUNNING COMPRESSOR2 TRIP
- (H) EMERGENCY STOP
- (J) AIR FLOW VFD OFF BYP COOLING ON OFF



						THIS DOCUMENT IS THE PROPERTY OF SMARTTECH AND SHOULD NOT BE DISCLOSED OR USED WITHOUT THE EXPRESSED CONSENT OF COMPANY		PROJECT: 40 Ton rental AC unit			
						DRAWN BY: HANIS DATE: 02.12.2016		MODEL: SACP 40TA-HS			
						CHECKED BY: DATE:		UNIT NO: 19099		DRAWING NO: S210840182	
						APPROVED BY:  DATE: 5/17/16				F.O NO: SEC 500196	
REV.	DESCRIPTION	DATE	REV. BY	CHK'D. BY	APP'D BY	APPROVED BY:				SHEET 3 OF 4	