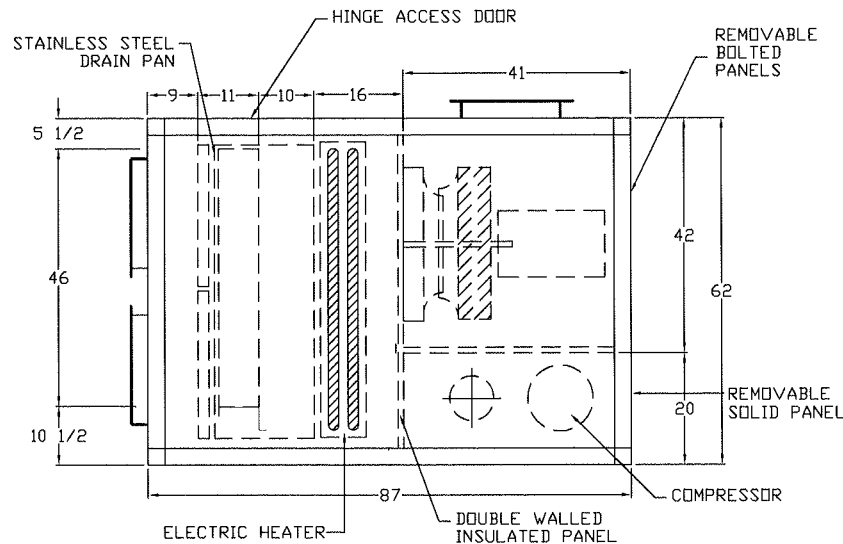


CERTIFIED DRAWING

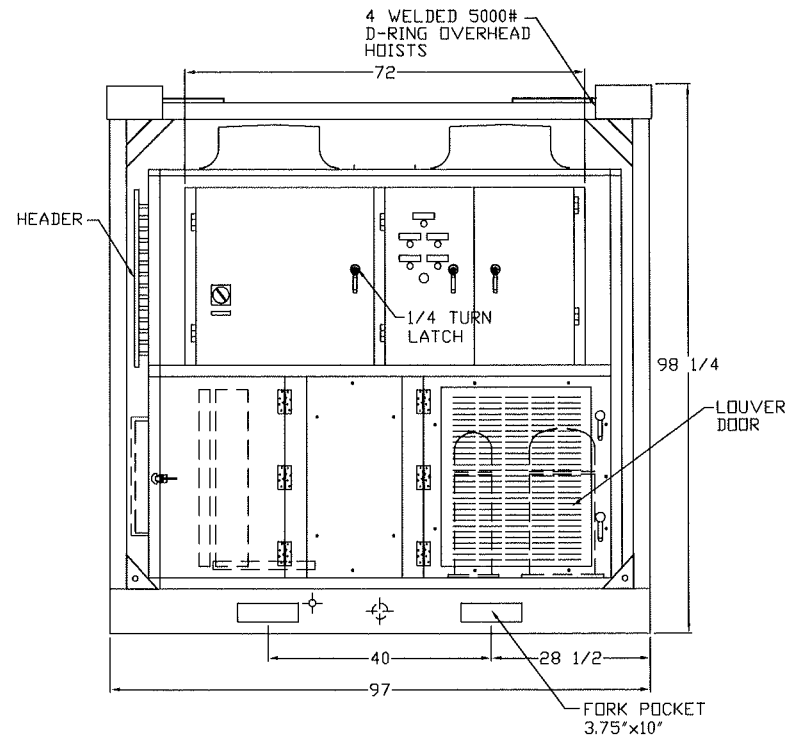
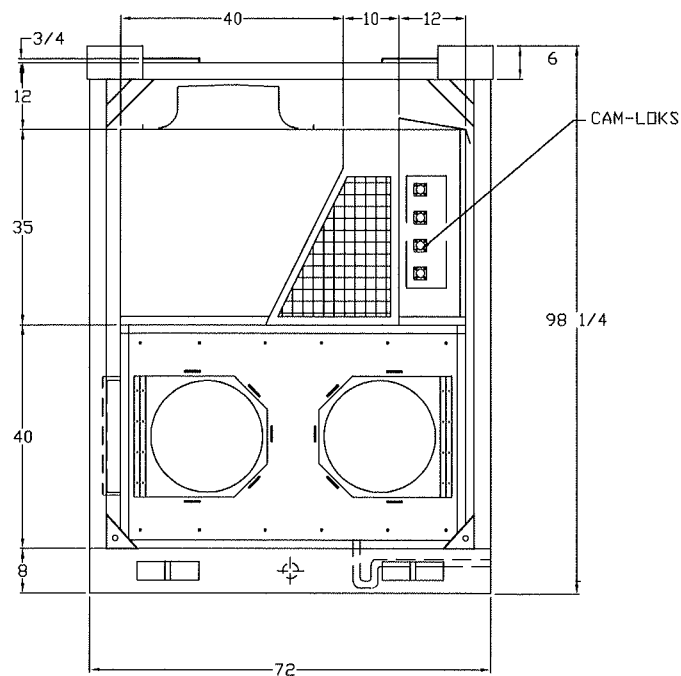
COMPRESSOR : CPR27021
 COND. COIL : 3Rx14FPI
 EVAP COIL : 6Rx12FPI
 COND. FAN : BLW27018 ASSEMBLY
 MOTOR : BLW27018 ASSEMBLY
 BLOWER : BLW27015
 POWER SUPPLY : 460/3/60
 HEATER : E-HTR27018
 STAGE 1: 6 ELEMENTS
 STAGE 2: 3 ELEMENTS

ALL DIMENSIONS ARE IN INCHES UNLESS OTHERWISE SPECIFIED.

DRAWN BY	ANG	DATE	30/11/2016
CHECKED BY	DJ	DATE	05/12/2016
APPROVED BY	SP	DATE	05/12/2016



PLAN VIEW OF EVAP. BLOWER SECTION ONLY



01.	REVISED FORK POCKET LOCATION	07.12.16	ANG			
REV	DESCRIPTION	DATE	REV BY	CHK'D BY	APP'D BY	



THIS DOCUMENT IS THE PROPERTY OF SMARTECH AND SHOULD NOT BE DISCLOSED OR USED WITHOUT THE EXPRESSED CONSENT OF COMPANY

PROJECT : 19098
 F/O :

MODEL : SACP 30A-HS

TITLE :
 AIR COOLED PACKAGED

DRAWING NO : S110840194

A4	SCALE : N.T.S.	SHEET	OF
----	----------------	-------	----