

ELECTRICAL DATA

MOTOR	HP/kW	RLA	LRA
BLOWER	7.5HP	8.9A	64A
COMP 1	20HP	31A	225A
C/FAN 1&2	2HP	4.0A	25A
HEATER 1	32kW	40A	-
HEATER 2	16kW	20A	-

UNIT DATA

FLA	87.9A
MCA	106A
MFS	125A

SET POINTS

1HP	560#/MANUAL RESET
2HP	350#/CUT IN/295# CUT-OUT
3HP	400#/CUT IN/345# CUT-OUT
1LP	65#/MANUAL RESET
1TR, 2TR	60 SEC
1CB-OL	38A
4OL	9A
6OL	46A
7OL	23A

IR33 SETTINGS

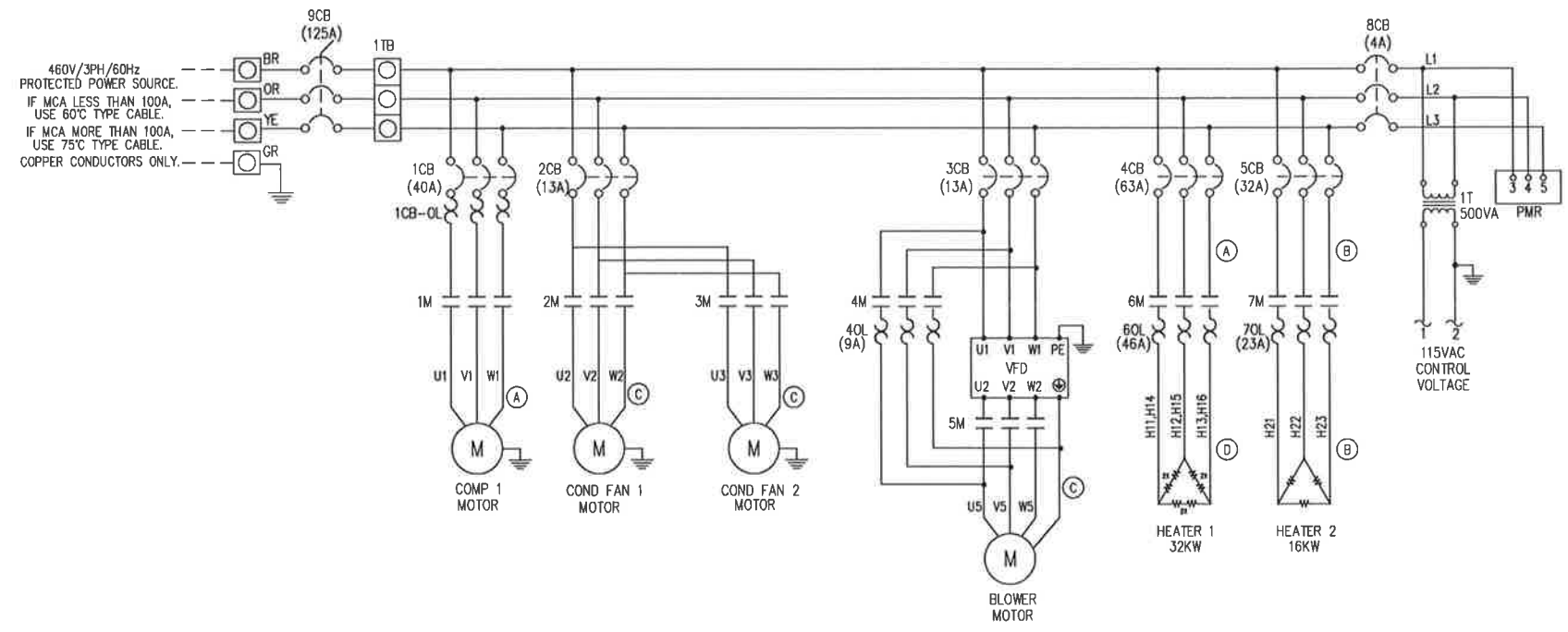
IR33-1 (CLG)	70F (BY RA PROBE) 55F (BY SA PROBE)
IR33-2 (HTG)	78F (BY RA PROBE) 95F (BY SA PROBE)

LEGEND

- AFS - AIR FLOW SWITCH
- CB - CIRCUIT BREAKER
- CO - CONVENIENT OUTLET
- CR - CONTROL RELAY
- ES - EMERGENCY SWITCH
- FLA - FULL LOAD AMPS
- FU - FUSE
- GFCI - GROUND FAULT CIRCUIT INTERRUPTOR
- Hp - HORSE POWER
- HP - HIGH PRESSURE SWITCH
- HTL - HIGH TEMPERATURE LIMIT
- ITS - INTERNAL THERMAL SENSOR
- J - JUMPER
- KW - KILOWATT
- LLS - LIQUID LINE SOLENOID
- LRA - LOCKED ROTOR AMPS
- LP - LOW PRESSURE SWITCH
- M - CONTACTOR
- MP - MOTOR PROTECTOR
- MCA - MINIMUM CIRCUIT AMPS
- MCCB - MOULDED CASE CIRCUIT BREAKER
- MFS - MAXIMUM FUSE SIZE
- OL - OVERLOAD PROTECTOR
- PL - PILOT LIGHT
- PMR - PHASE MONITOR RELAY
- POT - POTENTIOMETER
- RLA - RATED LOAD AMPS
- STC - STAGE
- SW - SWITCH
- TB - TERMINAL BLOCK
- TR - TIMER RELAY
- T - TRANSFORMER
- TS - TEMP. SENSOR
- R - RED
- G - GREEN
- A - AMBER
- VFD - VARIABLE FREQ. DRIVE
- \* - FIELD SUPPLY
- ▲ - MANUAL RESET
- - FACTORY WIRING
- - FIELD WIRING
- △ - SEE NOTE 'n'
- - CAM-LOCK

CABLE SIZE

- CONTROL - 14AWG
- (A) - 6AWG, BLACK
- (B) - 10AWG, BLACK
- (C) - 12AWG, BLACK
- (D) - 2x10AWG, BLACK



THIS DOCUMENT IS THE PROPERTY OF SMARTECH AND SHOULD NOT BE DISCLOSED OR USED WITHOUT THE EXPRESSED CONSENT OF COMPANY

DRAWN BY: JUN DATE: 05.12.2016  
 CHECKED BY: [Signature] DATE: [Signature]  
 APPROVED BY: [Signature] DATE: 6/27/16

PROJECT: 30 Ton rental AC unit with Heat

MODEL: SACP 30A-HS

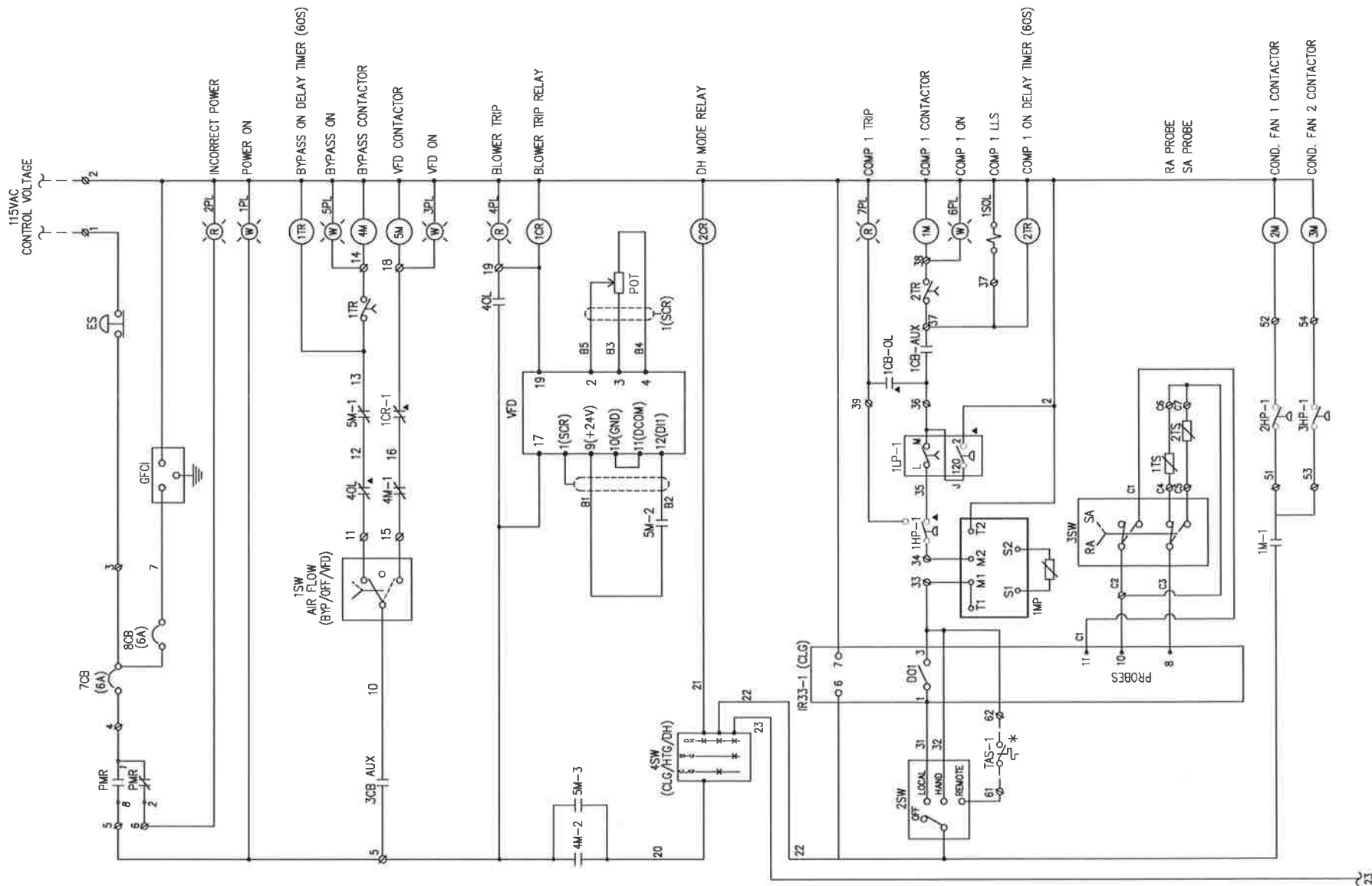
UNIT NO: 19098



TITLE: SCHEMATIC WIRING DIAGRAM

DRAWING NO: S210840184 F.O NO: SBC 500186  
 SHEET 1 OF 5

REV.	DESCRIPTION	DATE	REV. BY	CHK'D. BY	APP'D BY



REV.	DESCRIPTION	DATE	REV. BY	CHK'D. BY	APP'D BY

THIS DOCUMENT IS THE PROPERTY OF SMARTTECH AND SHOULD NOT BE DISCLOSED OR USED WITHOUT THE EXPRESSED CONSENT OF COMPANY

DRAWN BY: JUN      DATE: 05.12.2016


CHECKED BY:      DATE:     

APPROVED BY: *[Signature]*      DATE: 6/12/16

PROJECT: 30 Ton rental AC unit with Heat

MODEL: SACP 30A-HS

UNIT NO: 19098

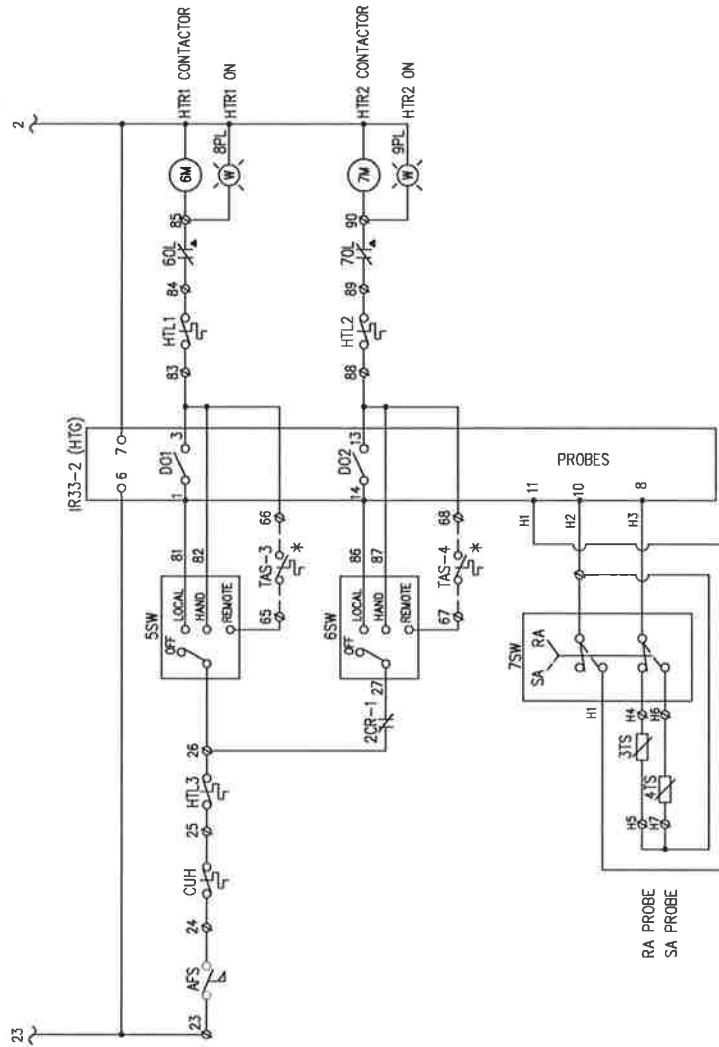



www.SmrtCoolingProducts.com 881-540-2805

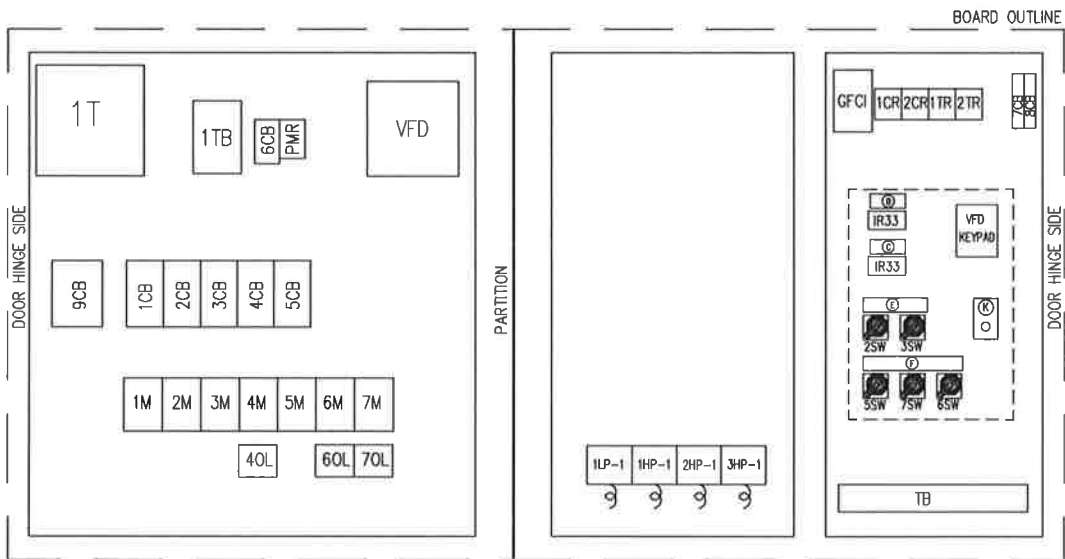
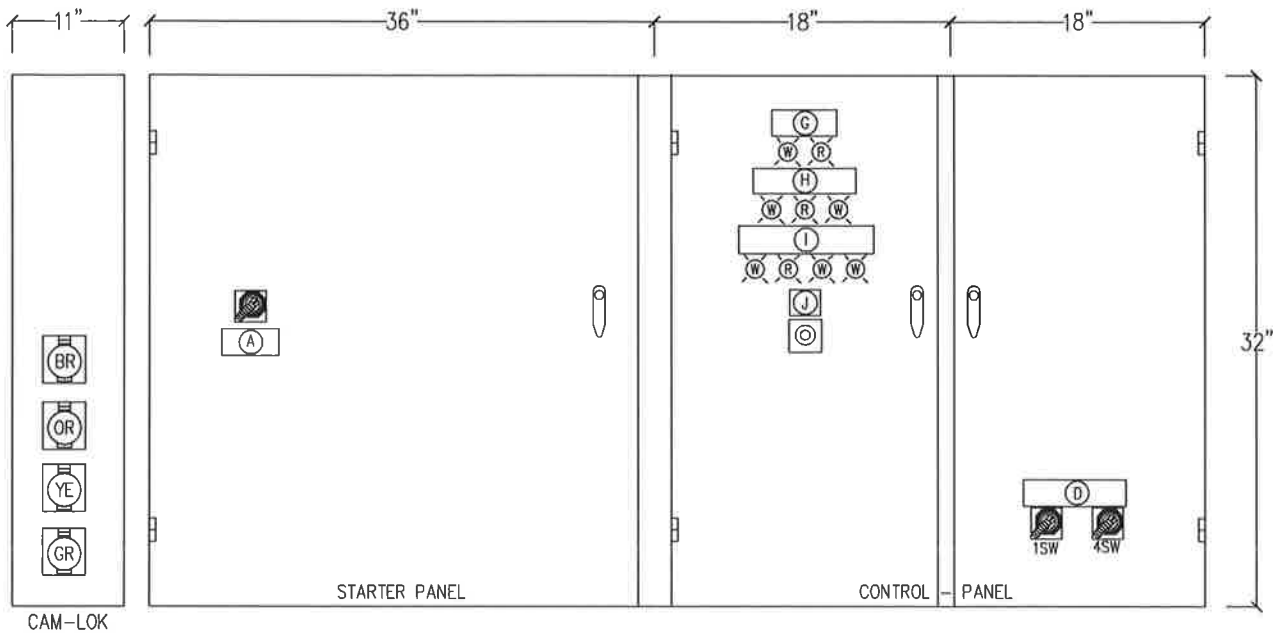
TITLE: SCHEMATIC WIRING DIAGRAM

DRAWING NO: S210840184      F.O NO: SEC 500195

SHEET 2 OF 5




REV.	DESCRIPTION	DATE	REV. BY	CHK'D. BY	APP'D BY	THIS DOCUMENT IS THE PROPERTY OF SMARTECH AND SHOULD NOT BE DISCLOSED OR USED WITHOUT THE EXPRESSED CONSENT OF COMPANY		PROJECT:	30 Ton rental AC unit with Heat		 www.SmartCoolingProducts.com 201-540-2905						
						DRAWN BY:	JUN	DATE:	05.12.2016	MODEL:		SACP 30A-HS		TITLE:	SCHEMATIC WIRING DIAGRAM		
						CHECKED BY:		DATE:		UNIT NO.:	19098		DRAWING NO.:	S210840184		F.O NO.:	SEG 500105
						APPROVED BY:		DATE:	6/1/16			DRAWING NO.:	S210840184		SHEET 3 OF 5		



TAGS: -

- (A) MAIN CIRCUIT BREAKER
  - (B) IR33-1 CLG
  - (C) IR33-2 HTG
  - (D) AIR FLOW MODE VFD OFF BYP CLG HTG DH
  - (E) COMPRESSOR1 CLG PROBE SELECTION
  - (F) HEATER 1 HTG PROBE SELECTION HEATER 2
  - (G) CONTROL POWER ON INCORRECT POWER
  - (H) VFD RUNNING BLOWER TRIP BYPASS RUNNING
  - (I) COMPRESSOR1 COMPRESSOR1 HEATER 1 HEATER 2 RUNNING TRIP ON ON
  - (J) EMERGENCY STOP
- (L) SPD ADJ POT MIN MAX

						THIS DOCUMENT IS THE PROPERTY OF SMARTECH AND SHOULD NOT BE DISCLOSED OR USED WITHOUT THE EXPRESSED CONSENT OF COMPANY		PROJECT: 30 Ton rental AC unit with Heat		 www.SmartCoolingProducts.com 881-540-2805	
						DRAWN BY: JUN DATE: 05.12.2016		MODEL: SACP 30A-HS			
						CHECKED BY: DATE: 6/12/16		UNIT NO: 19098		DRAWING NO: S210840184	
REV.	DESCRIPTION	DATE	REV. BY	CHK'D. BY	APP'D BY	APPROVED BY:	DATE:			F.O NO: SEG 500195	