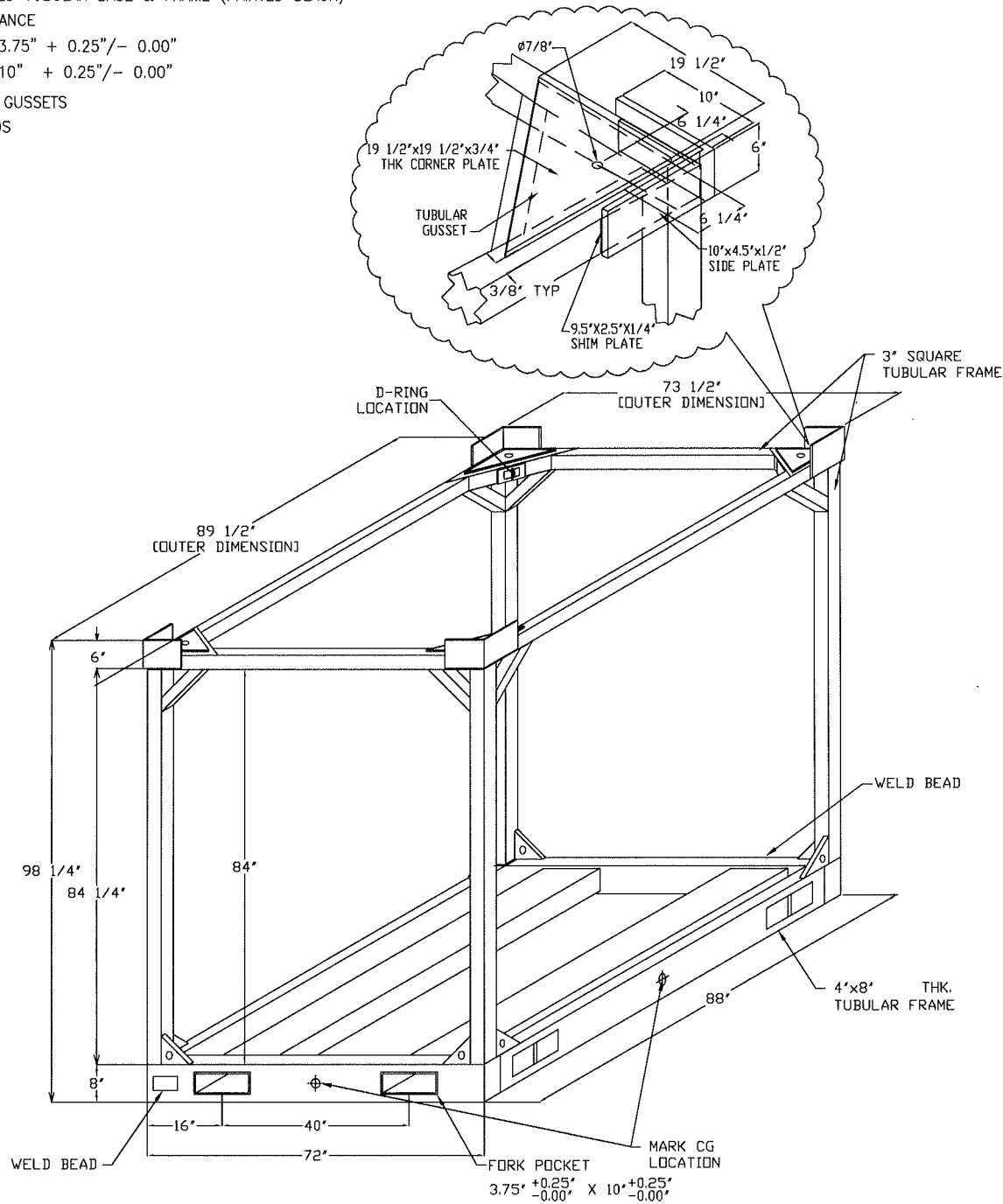


**NOTE:**

1. ALL DIMENSION TOLERANCE  $\pm 1/2"$  UNLESS SPECIFIED
2. HOT DIPPED GALVANIZED TUBULAR BASE & FRAME (PAINTED BLACK)
3. FORK POCKETS TOLERANCE
  - i) HEIGHT ;  $3.75" + 0.25"/- 0.00"$
  - i) LENGTH ;  $10" + 0.25"/- 0.00"$
4. FRAME WITH TUBULAR GUSSETS
5. FULL SEAL TYPE WELDS



**CERTIFIED DRAWING**

ALL DIMENSIONS ARE IN INCHES UNLESS OTHERWISE SPECIFIED.

DRAWN BY	ANG	DATE	30/11/2016
CHECKED BY	DJ	DATE	5/12/16
APPROVED BY	[Signature]	DATE	[Signature]

REV	DESCRIPTION	DATE	REV BY	CHK'D BY	APP'D BY

**SMART FAMILY OF COOLING PRODUCTS**  
www.SmartCoolingProducts.com 281-540-2805

THIS DOCUMENT IS THE PROPERTY OF SMARTTECH AND SHOULD NOT BE DISCLOSED OR USED WITHOUT THE EXPRESSED CONSENT OF COMPANY

PROJECT 19097  
F/O :

MODEL SACP 20A-HS

TITLE  
AIR COOLED PACKAGED

DRAWING NO S110840196-01

A4	SCALE : N.T.S	SHEET	OF
----	---------------	-------	----