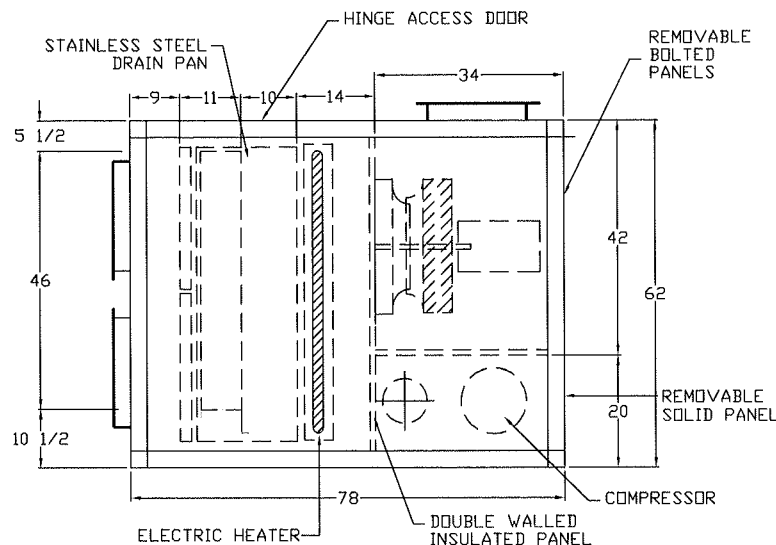


CERTIFIED DRAWING

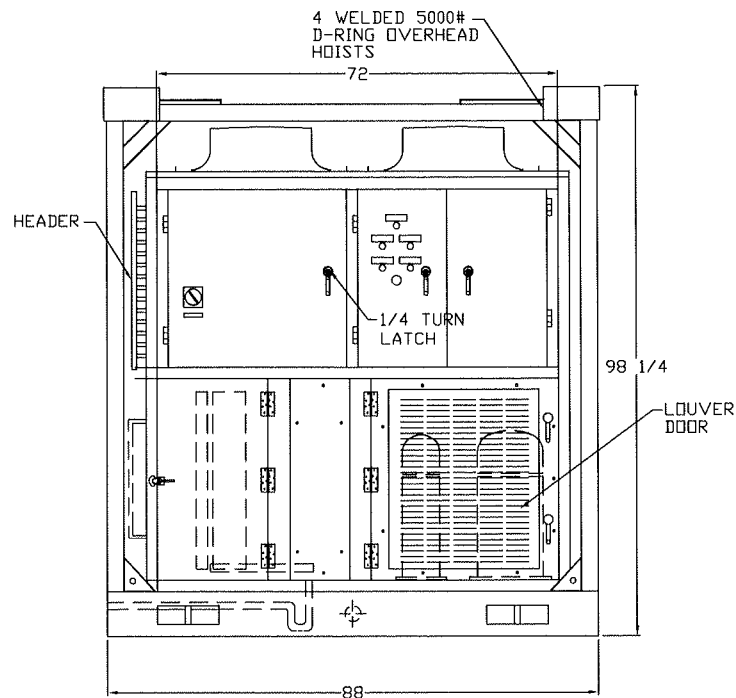
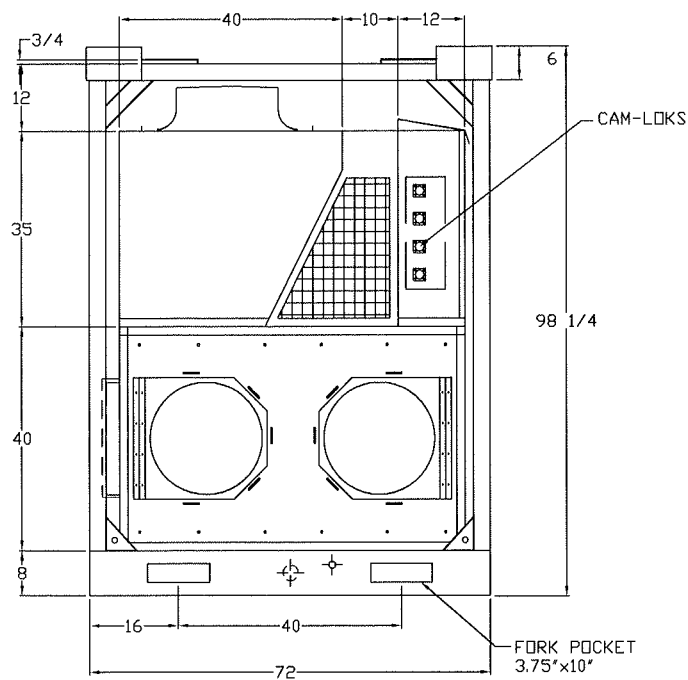
COMPRESSOR : CPR27123
 COND. COIL : 3Rx12FPI
 EVAP. COIL : 6Rx10FPI
 COND. FAN : BLW27018 ASSEMBLY
 MOTOR : BLW27018 ASSEMBLY
 BLOWER : BLW27023
 POWER SUPPLY : 460/3/60
 HEATER : E-HTR27018

ALL DIMENSIONS ARE IN INCHES UNLESS OTHERWISE SPECIFIED.

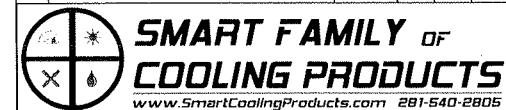
DRAWN BY	ANG	DATE	30/11/2016
CHECKED BY	DJ	DATE	5/12/16
APPROVED BY	<i>[Signature]</i>	DATE	5/12/16



PLAN VIEW OF EVAP. BLOWER SECTION ONLY



REV	DESCRIPTION	DATE	REV BY	CHK'D BY	APP'D BY
-----	-------------	------	--------	----------	----------



THIS DOCUMENT IS THE PROPERTY OF SMARTECH AND SHOULD NOT BE DISCLOSED OR USED WITHOUT THE EXPRESSED CONSENT OF COMPANY

PROJECT 19097

F/O :

MODEL SACP 20A-HS

TITLE
AIR COOLED PACKAGED

DRAWING NO S110840196

A4 SCALE : N.T.S SHEET OF