

460V/3PH/60Hz
PROTECTED POWER SOURCE.
IF MCA LESS THAN 100A,
USE 60°C TYPE CABLE.
IF MCA MORE THAN 100A,
USE 75°C TYPE CABLE.
COPPER CONDUCTORS ONLY.

ELECTRICAL DATA

MOTOR	HP/kW	RLA	LRA
BLOWER	7.5HP	8.9A	64A
COMP 1	15HP	26A	173A
C/FAN 1&2	2HP	4.0A	25A
HEATER	48kW	60A	-

UNIT DATA

FLA	102.9A
MCA	124A
MFS	125A

SET POINTS

1HP	560#/MANUAL RESET
2HP	350#/CUT IN/295# CUT-OUT
3HP	400#/CUT IN/345# CUT-OUT
1LP	65#/MANUAL RESET
1TR, 2TR	60 SEC
1CB-OL	32A
4OL	9A
6OL	70A

IR33 SETTINGS

IR33-1 (CLG)	70F (BY RA PROBE)
	55F (BY SA PROBE)
IR33-2 (HTG)	78F (BY RA PROBE)
	95F (BY SA PROBE)

LEGEND

AFS	- AIR FLOW SWITCH
CB	- CIRCUIT BREAKER
CO	- CONVENIENT OUTLET
CR	- CONTROL RELAY
ES	- EMERGENCY SWITCH
FLA	- FULL LOAD AMPS
FU	- FUSE
GFCI	- GROUND FAULT CIRCUIT INTERRUPTOR
Hp	- HORSE POWER
HP	- HIGH PRESSURE SWITCH
HTL	- HIGH TEMPERATURE LIMIT
ITS	- INTERNAL THERMAL SENSOR
J	- JUMPER
KW	- KILOWATT
LLS	- LIQUID LINE SOLENOID
LRA	- LOCKED ROTOR AMPS
LP	- LOW PRESSURE SWITCH
W	- CONTACTOR
MP	- MOTOR PROTECTOR
MCA	- MINIMUM CIRCUIT AMPS
MCCB	- MOULDED CASE CIRCUIT BREAKER
MFS	- MAXIMUM FUSE SIZE
OL	- OVERLOAD PROTECTOR
PL	- PILOT LIGHT
PMR	- PHASE MONITOR RELAY
POT	- POTENTIOMETER
RLA	- RATED LOAD AMPS
STG	- STAGE
SW	- SWITCH
TB	- TERMINAL BLOCK
TR	- TIMER RELAY
T	- TRANSFORMER
TS	- TEMP. SENSOR
R	- RED
G	- GREEN
A	- AMBER
VFD	- VARIABLE FREQ. DRIVE
*	- FIELD SUPPLY
▲	- MANUAL RESET
---	- FACTORY WIRING
---	- FIELD WIRING
△	- SEE NOTE 'n'
□	- CAM-LOCK

CABLE SIZE

CONTROL	- 14AWG
(A)	- 8AWG, BLACK
(B)	- 4AWG, BLACK
(C)	- 12AWG, BLACK
(D)	- 3x10AWG, BLACK

THIS DOCUMENT IS THE PROPERTY OF SMARTECH AND SHOULD NOT BE DISCLOSED OR USED WITHOUT THE EXPRESSED CONSENT OF COMPANY

PROJECT:

20 Ton rental AC unit
with Heat



DRAWN BY: JUN

DATE: 05.12.2016

MODEL:

SACP 20A-HS

TITLE:

SCHEMATIC WIRING DIAGRAM

CHECKED BY:

DATE:

UNIT NO:

19097

DRAWING NO: S210840186

F.O NO:

REV.

DESCRIPTION

DATE

REV. BY

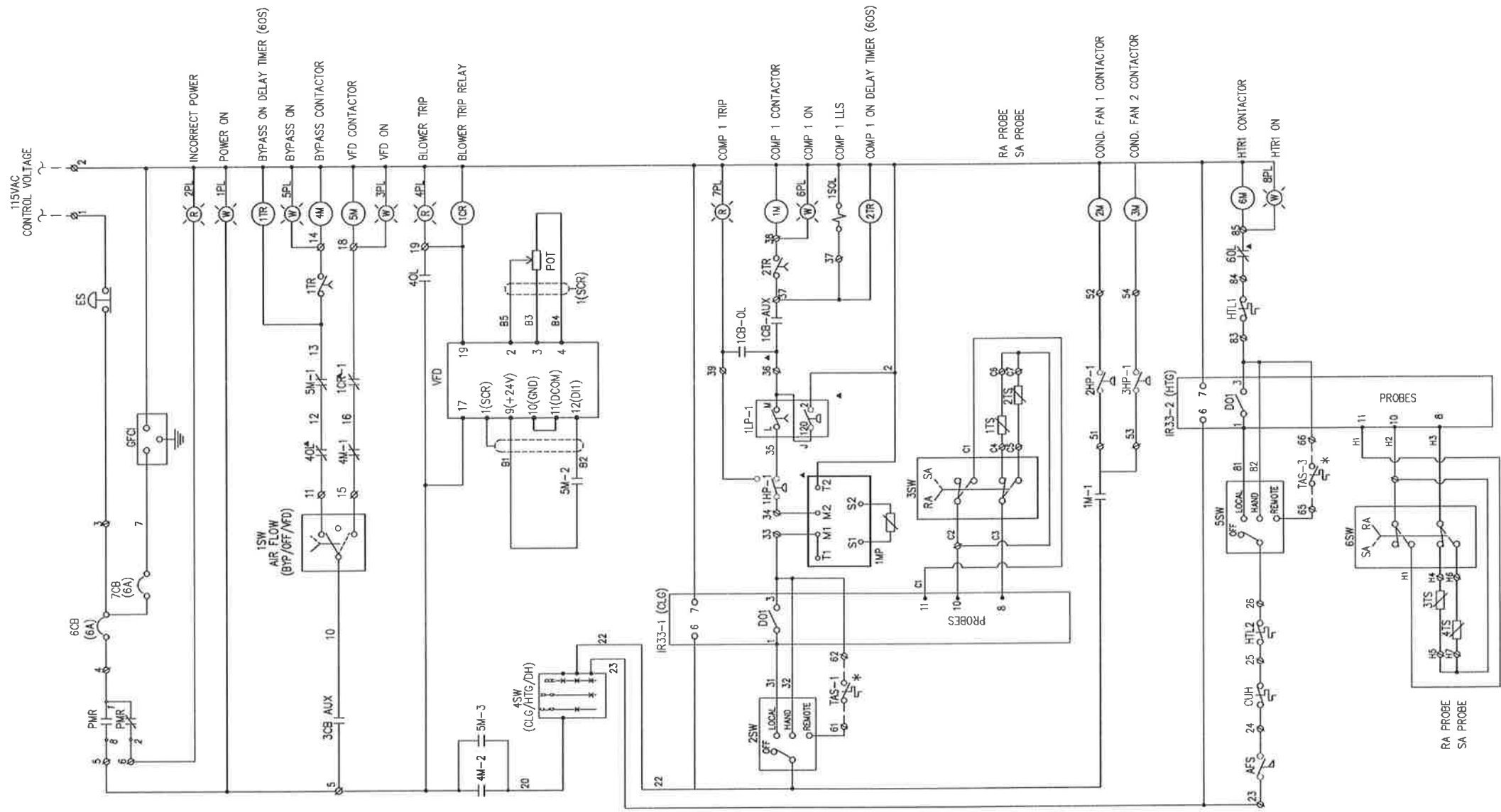
CHK'D. BY


APP'D BY

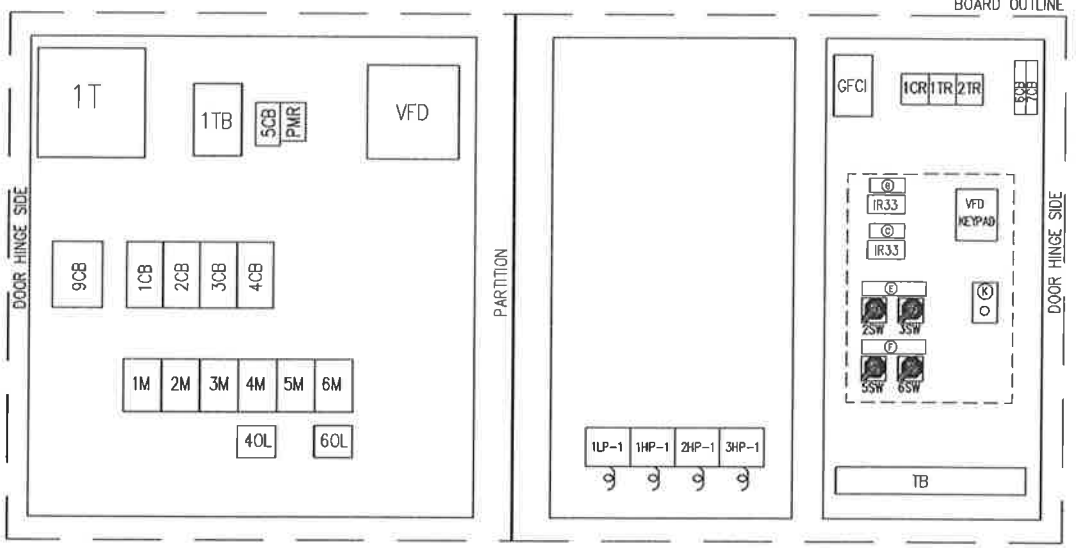
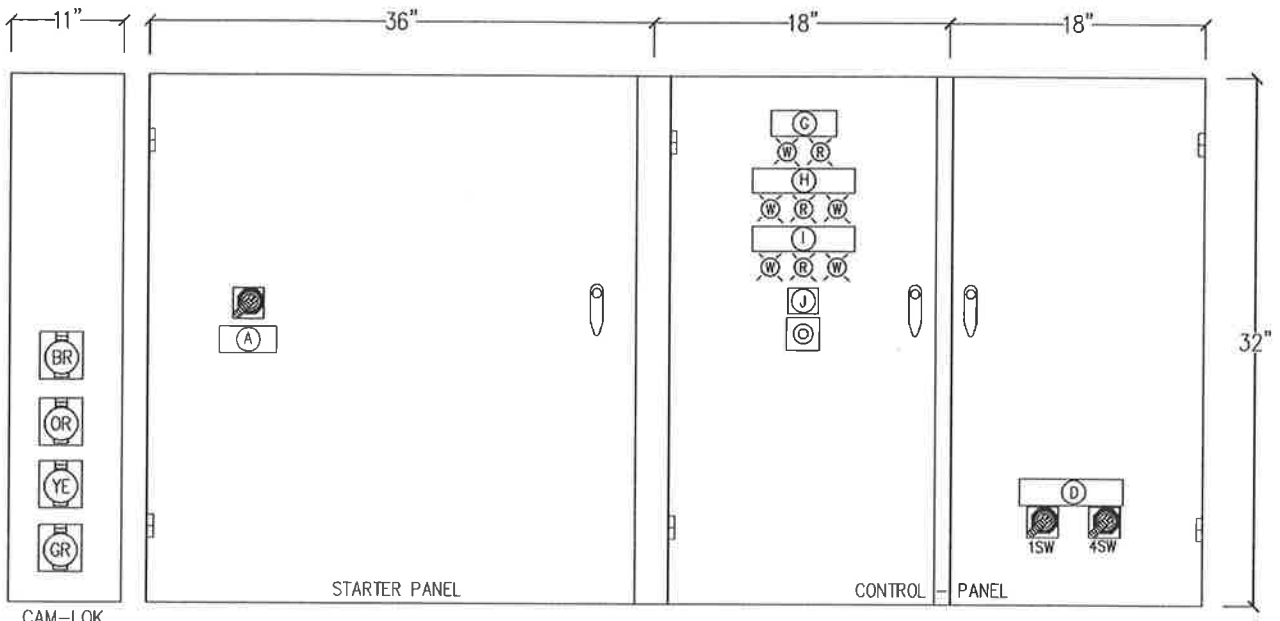
APPROVED BY:

DATE:

SHEET 1 OF 4




REV.	DESCRIPTION	DATE	REV. BY	CHK'D. BY	APP'D BY	THIS DOCUMENT IS THE PROPERTY OF SMARTECH AND SHOULD NOT BE DISCLOSED OR USED WITHOUT THE EXPRESSED CONSENT OF COMPANY		PROJECT: 20 Ton rental AC unit with Heat		 www.SmartCoolingProducts.com 881-540-2805
						DRAWN BY: JUN	DATE: 05.12.2016	MODEL: SACP 20A-HS	TITLE: SCHEMATIC WIRING DIAGRAM	
						CHECKED BY:	DATE:	UNIT NO: 19097	DRAWING NO: S210840186	F.O NO:
						APPROVED BY:	DATE: 6/2/16		SHEET 2 OF 4	



TAGS: -

- (A) MAIN CIRCUIT BREAKER
 - (B) IR33-1 CLG
 - (C) IR33-2 HTG
 - (D) AIR FLOW MODE VFD OFF BYP CLG HTG DH
 - (E) COMPRESSOR1 CLG PROBE SELECTION
 - (F) HEATER 1 HTG PROBE SELECTION
 - (G) CONTROL POWER ON INCORRECT POWER
 - (H) VFD RUNNING BLOWER TRIP BYPASS RUNNING
 - (I) COMPRESSOR1 RUNNING COMPRESSOR1 TRIP HEATER 1 ON
 - (J) EMERGENCY STOP
- (L) SPD ADJ POT
○ MIN MAX

					THIS DOCUMENT IS THE PROPERTY OF SMARTECH AND SHOULD NOT BE DISCLOSED OR USED WITHOUT THE EXPRESSED CONSENT OF COMPANY		PROJECT: 20 Ton rental AC unit with Heat			
					DRAWN BY: JUN	DATE: 05.12.2016	MODEL: SACP 20A-HS			
					CHECKED BY:	DATE:	UNIT NO: 19097		DRAWING NO: S210840186	
REV.	DESCRIPTION	DATE	REV. BY	CHK'D. BY	APP'D BY	APPROVED BY:	DATE:	F.O NO:		SHEET 3 OF 4