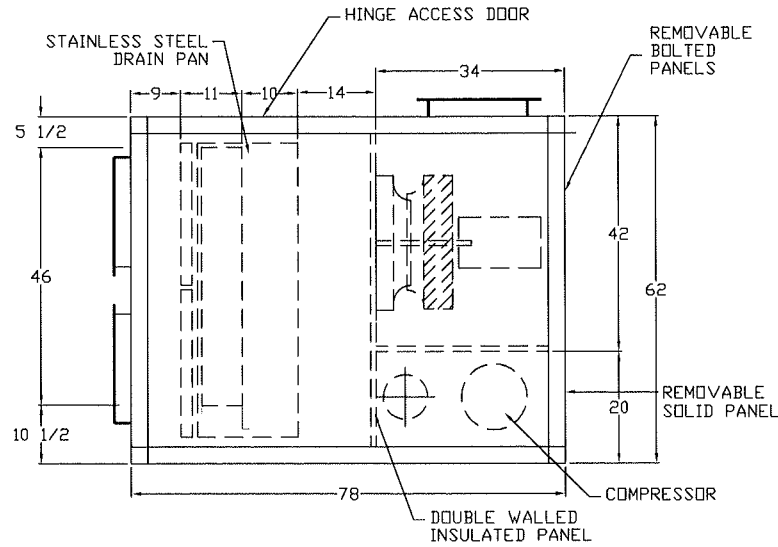


# CERTIFIED DRAWING

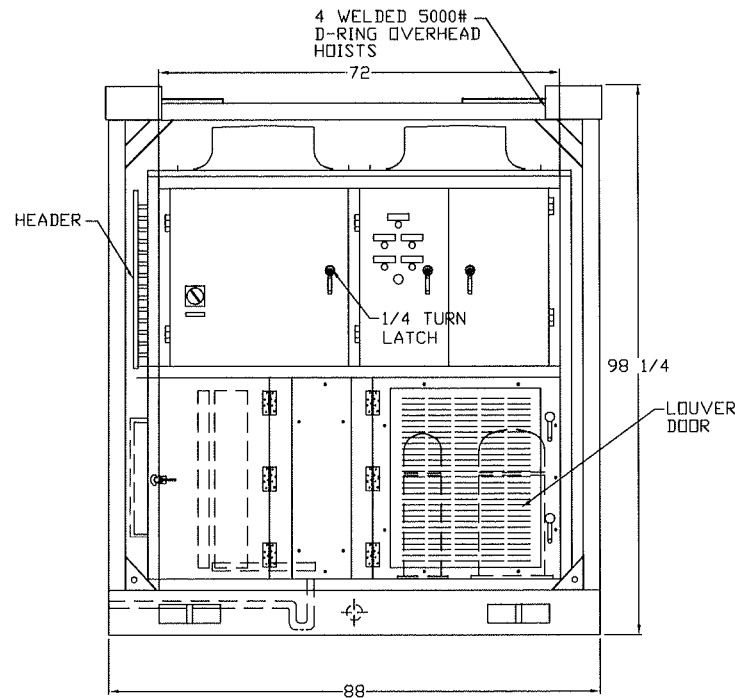
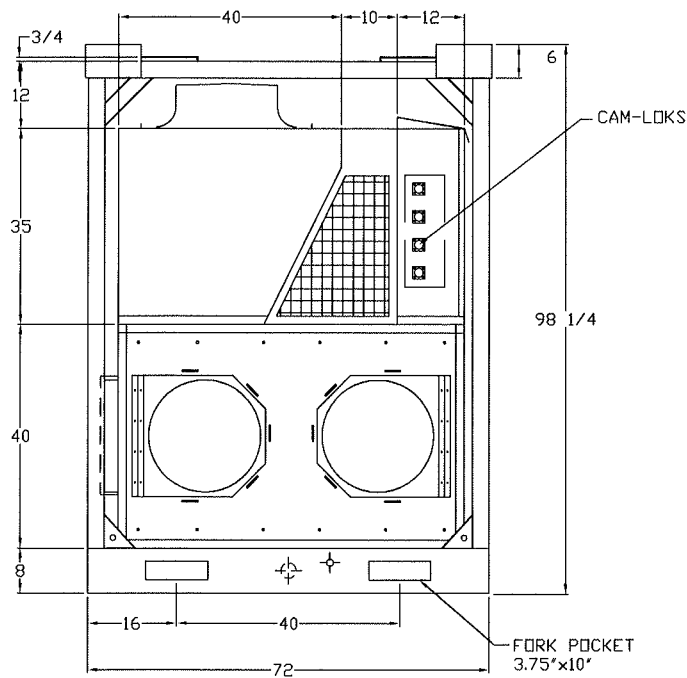
COMPRESSOR : CPR27123  
 COND. COIL : 3Rx12FPI  
 EVAP. COIL : 6Rx10FPI  
 COND. FAN : BLW27018 Assembly  
 MOTOR : BLW27018 Assembly  
 BLOWER : BLW27023  
 POWER SUPPLY : 460/360

ALL DIMENSIONS ARE IN INCHES UNLESS OTHERWISE SPECIFIED.

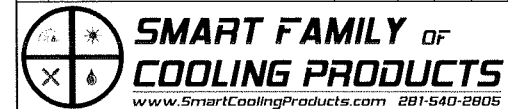
|             |             |      |            |
|-------------|-------------|------|------------|
| DRAWN BY    | ANG         | DATE | 30/11/2016 |
| CHECKED BY  | DJ          | DATE | 5/12/16    |
| APPROVED BY | [Signature] | DATE | 5/12/16    |



PLAN VIEW OF EVAP. BLOWER SECTION ONLY



| REV | DESCRIPTION | DATE | REV BY | CHK'D BY | APP'D BY |
|-----|-------------|------|--------|----------|----------|
|-----|-------------|------|--------|----------|----------|



THIS DOCUMENT IS THE PROPERTY OF SMARTECH AND SHOULD NOT BE DISCLOSED OR USED WITHOUT THE EXPRESSED CONSENT OF COMPANY

PROJECT 19096

F/O :

MODEL SACP 20A-HS

TITLE  
AIR COOLED PACKAGED

DRAWING NO S110840195

|    |               |       |    |
|----|---------------|-------|----|
| A4 | SCALE : N.T.S | SHEET | OF |
|----|---------------|-------|----|