

460V/3PH/60Hz  
PROTECTED POWER SOURCE.  
IF MCA LESS THAN 100A,  
USE 60°C TYPE CABLE.  
IF MCA MORE THAN 100A,  
USE 75°C TYPE CABLE.  
COPPER CONDUCTORS ONLY.

ELECTRICAL DATA			
MOTOR	HP/KW	RLA	LRA
BLOWER	7.5HP	8.9A	64A
COMP 1	15HP	26A	173A
C/FAN 1&2	2HP	4.0A	25A

UNIT DATA	
FLA	42.9A
MCA	49A
MFS	63A

SET POINTS	
1HP	560#/MANUAL RESET
2HP	350#/CUT IN/295# CUT-OUT
3HP	400#/CUT IN/345# CUT-OUT
1LP	65#/MANUAL RESET
1TR, 2TR	60 SEC
1CB-OL	32A
4OL	9A

IR33 SETTINGS	
IR33-1 (CLG)	70F (BY RA PROBE) 55F (BY SA PROBE)


- LEGEND**
- AFS - AIR FLOW SWITCH
  - CB - CIRCUIT BREAKER
  - CO - CONVENIENT OUTLET
  - CR - CONTROL RELAY
  - ES - EMERGENCY SWITCH
  - FLA - FULL LOAD AMPS
  - FU - FUSE
  - GFCI - GROUND FAULT CIRCUIT INTERRUPTOR
  - HP - HORSE POWER
  - HP - HIGH PRESSURE SWITCH
  - HTL - HIGH TEMPERATURE LIMIT
  - ITS - INTERNAL THERMAL SENSOR
  - J - JUMPER
  - KW - KILOWATT
  - LLS - LIQUID LINE SOLENOID
  - LRA - LOCKED ROTOR AMPS
  - LP - LOW PRESSURE SWITCH
  - M - CONTACTOR
  - MP - MOTOR PROTECTOR
  - MCA - MINIMUM CIRCUIT AMPS
  - MCCB - MOULDED CASE CIRCUIT BREAKER
  - MFS - MAXIMUM FUSE SIZE
  - OL - OVERLOAD PROTECTOR
  - PL - PILOT LIGHT
  - PMR - PHASE MONITOR RELAY
  - POT - POTENTIOMETER
  - RLA - RATED LOAD AMPS
  - STG - STAGE
  - SW - SWITCH
  - TB - TERMINAL BLOCK
  - TR - TIMER RELAY
  - T - TRANSFORMER
  - R - RED
  - G - GREEN
  - A - AMBER
  - VFD - VARIABLE FREQ. DRIVE
  - \* - FIELD SUPPLY
  - ▲ - MANUAL RESET
  - - FACTORY WIRING
  - - FIELD WIRING
  - △ - SEE NOTE 'n'
  - - CAN-LOCK

**CABLE SIZE**  
CONTROL - 14AWG  
 (A) - 8AWG, BLACK  
 (B) - 12AWG, BLACK

REV.	DESCRIPTION	DATE	REV. BY	CHK'D. BY	APP'D BY	APPROVED BY:	DATE:
						<i>[Signature]</i>	05/12/2016

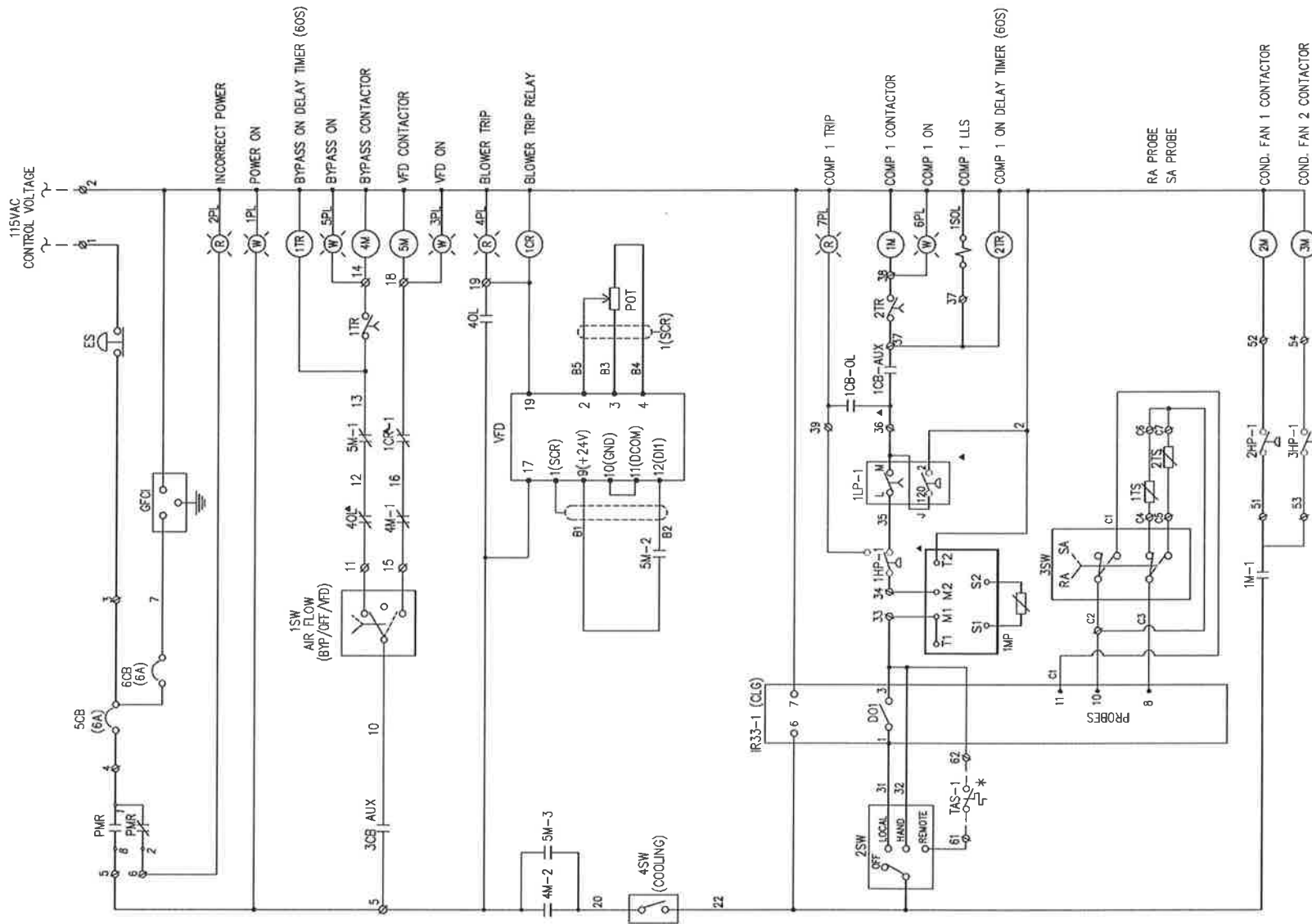
THIS DOCUMENT IS THE PROPERTY OF SMARTECH AND SHOULD NOT BE DISCLOSED OR USED WITHOUT THE EXPRESSED CONSENT OF COMPANY

PROJECT:	20 Ton rental AC unit
MODEL:	SACP 20A-HS
UNIT NO:	19096



**SMART FAMILY OF COOLING PRODUCTS**  
www.SmartCoolingProducts.com 281-540-2605

TITLE:	SCHEMATIC WIRING DIAGRAM	
DRAWING NO:	S210840188	F.O NO:
SHEET	1 OF 4	SBC 500193



REV.	DESCRIPTION	DATE	REV. BY	CHK'D. BY	APP'D BY

THIS DOCUMENT IS THE PROPERTY OF SMARTECH AND SHOULD NOT BE DISCLOSED OR USED WITHOUT THE EXPRESSED CONSENT OF COMPANY

DRAWN BY: JUN      DATE: 05.12.2016


CHECKED BY:      DATE:      /      /      2016

APPROVED BY:      DATE:      /      /      2016

PROJECT: 20 Ton rental AC unit

MODEL: SACP 20A-HS

UNIT NO: 19096

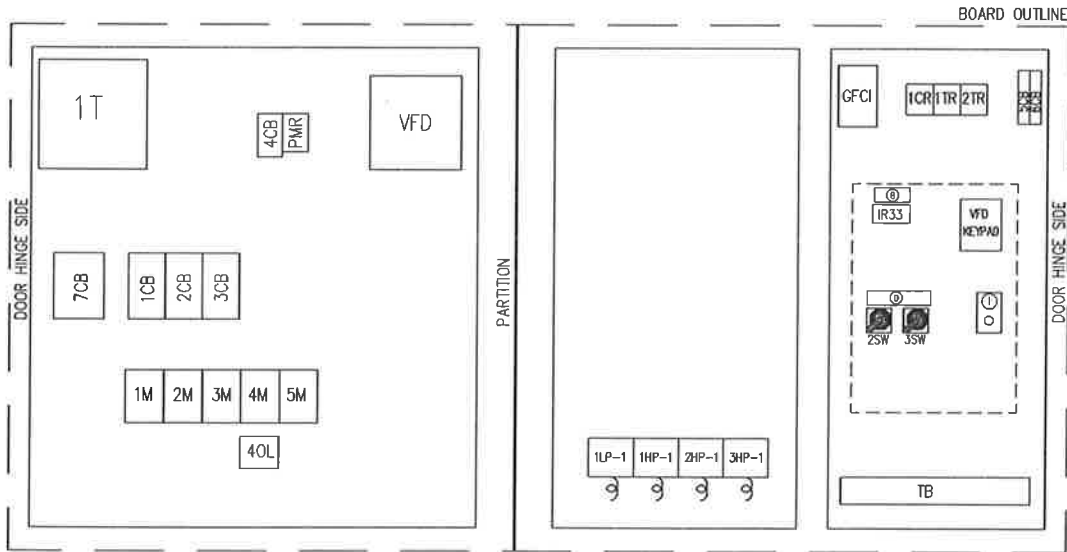
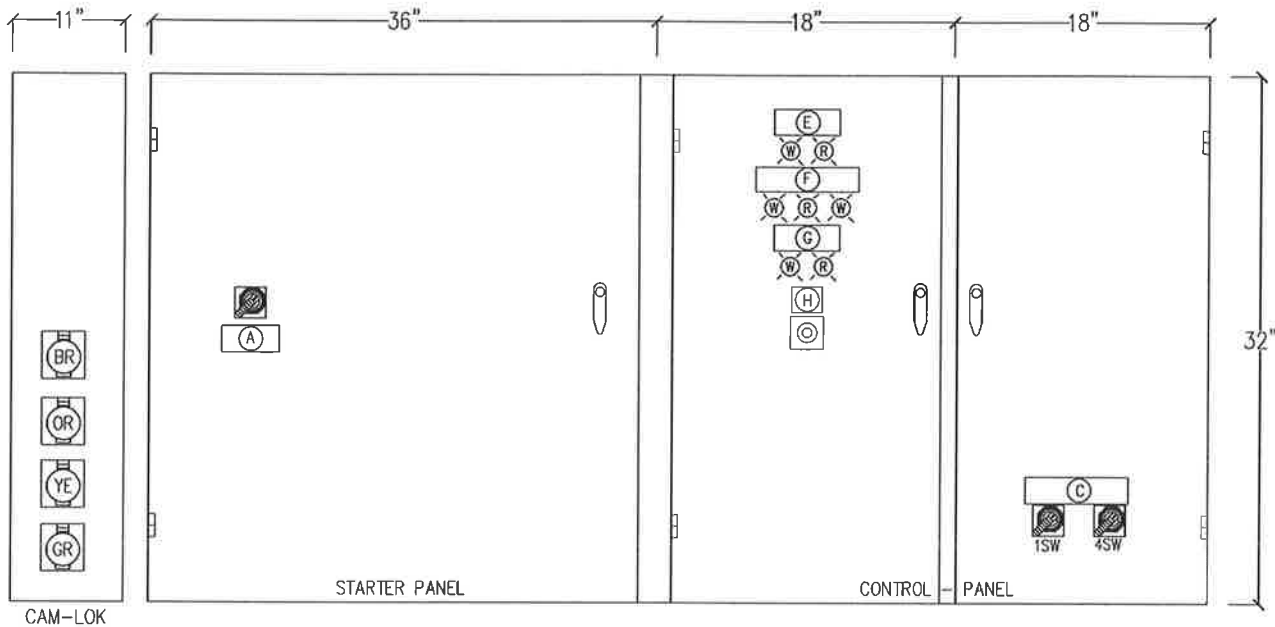


**SMART FAMILY OF COOLING PRODUCTS**  
www.SmartCoolingProducts.com 201-540-2805

TITLE: SCHEMATIC WIRING DIAGRAM

DRAWING NO: S210840188      F.O NO: SEC 500103


SHEET 2 OF 4



TAGS:-

- (A) MAIN CIRCUIT BREAKER
- (B) IR33-1 CLG
- (C) AIR FLOW VFD OFF BYP COOLING ON OFF
- (D) COMPRESSOR1 CLG PROBE SELECTION
- (E) CONTROL POWER ON INCORRECT POWER
- (F) VFD RUNNING BLOWER TRIP BYPASS RUNNING
- (G) COMPRESSOR1 RUNNING COMPRESSOR1 TRIP
- (H) EMERGENCY STOP



REV.	DESCRIPTION	DATE	REV. BY	CHK'D. BY	APP'D BY	THIS DOCUMENT IS THE PROPERTY OF SMARTECH AND SHOULD NOT BE DISCLOSED OR USED WITHOUT THE EXPRESSED CONSENT OF COMPANY		PROJECT:	20 Ton rental AC unit		 www.SmartCooling Products.com 281-540-2805					
						DRAWN BY:	JUN	DATE:	05.12.2016	MODEL:		SACP 20A-HS		TITLE:	SCHEMATIC WIRING DIAGRAM	
						CHECKED BY:	[Signature]	DATE:	[Signature]	UNIT NO:		19096		DRAWING NO:	S210840188	
APPROVED BY:						[Signature]	DATE:	6/17/2016			SHEET 3 OF 4					