

460V/3PH/60Hz  
PROTECTED POWER SOURCE.  
IF MCA LESS THAN 100A,  
USE 60°C TYPE CABLE.  
IF MCA MORE THAN 100A,  
USE 75°C TYPE CABLE.  
COPPER CONDUCTORS ONLY.

ELECTRICAL DATA			
MOTOR	HP/kW	RLA	LRA
BLOWER	5HP	4.8A	25A
COMP 1	12HP	13.7A	125A
C/FAN 1&2	5HP	4.8A	25A


UNIT DATA	
FLA	28.1A
MCA	32A
MFS	50A

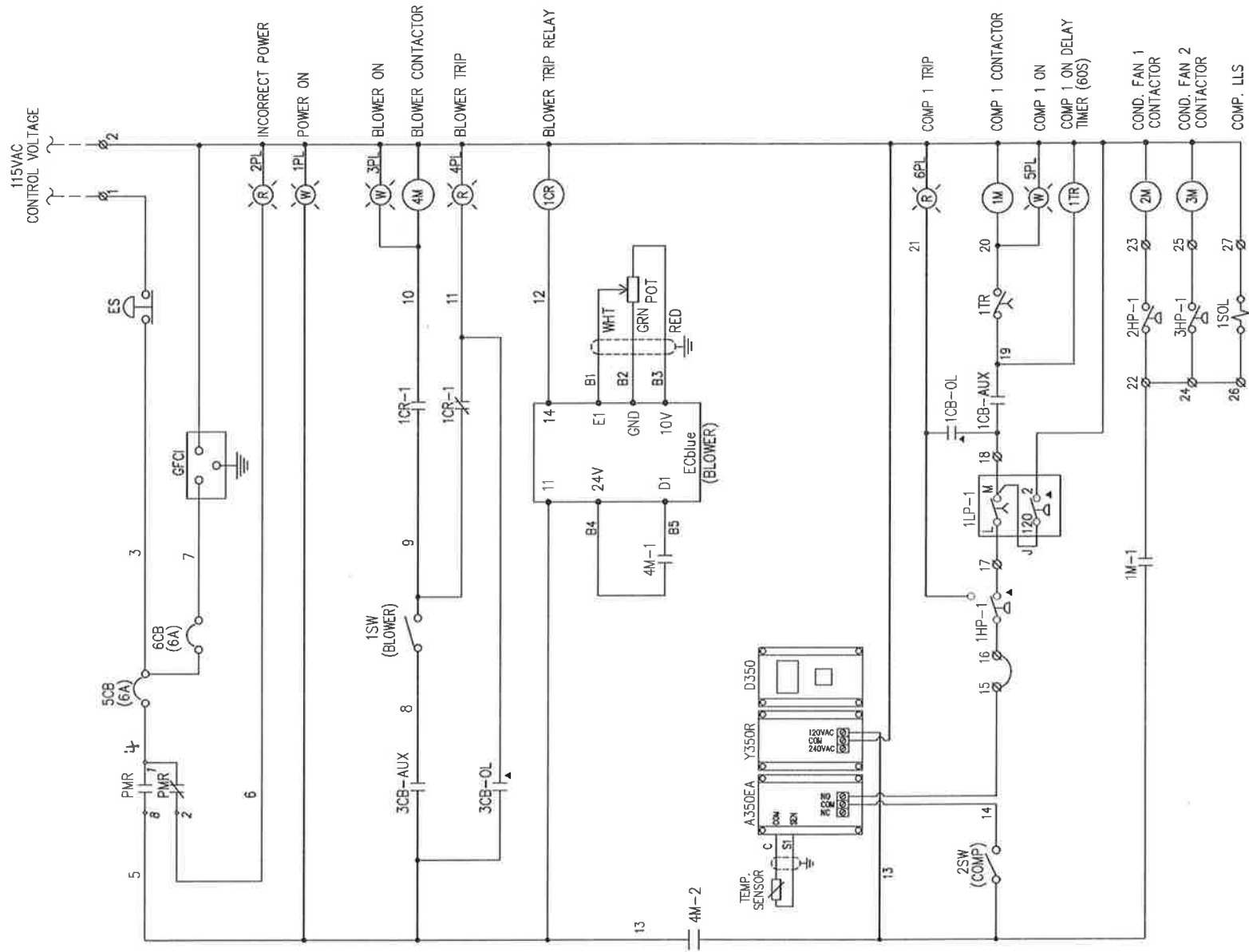
SET POINTS	
1HP	240#/MANUAL RESET
2HP	139#/CUT IN/295# CUT-OUT
3HP	163#/CUT IN/345# CUT-OUT
IUP	13#/MANUAL RESET
1TR, 2TR	60 SEC
1CB-OL	19A


A350 SETTINGS	
COOLING	70F (BY RA PROBE) 55F (BY SA PROBE)

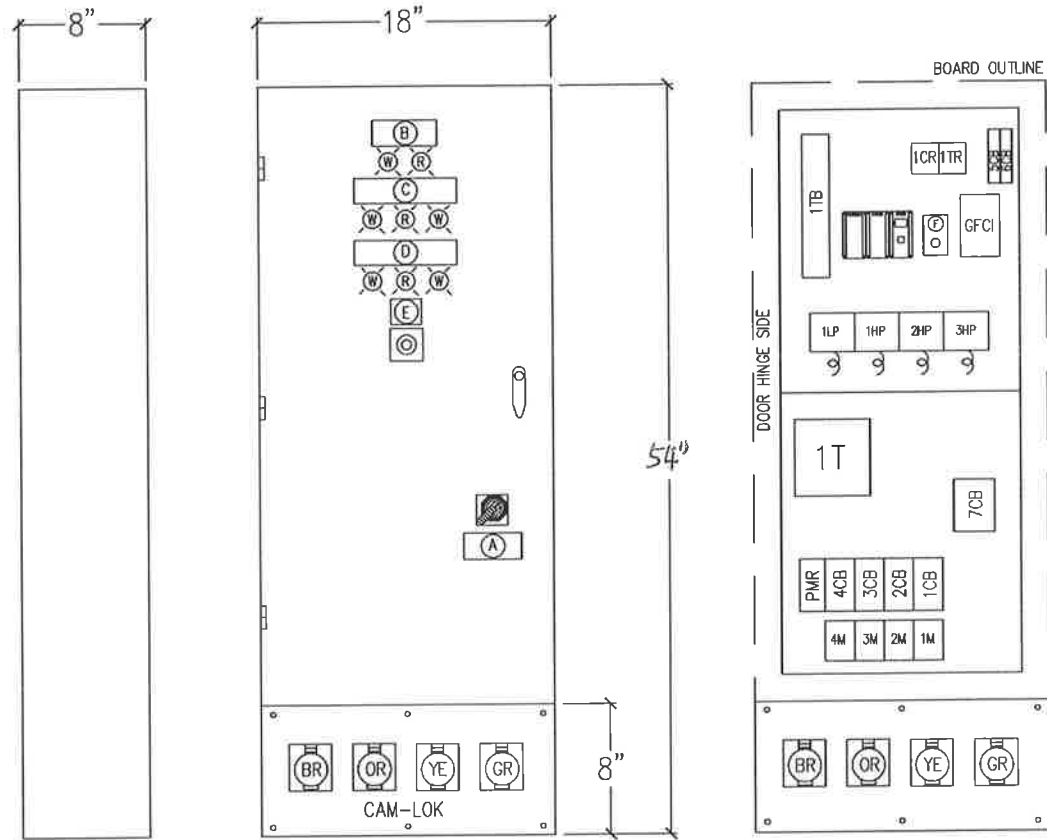
- LEGEND**
- AFS - AIR FLOW SWITCH
  - CB - CIRCUIT BREAKER
  - CO - CONVENIENT OUTLET
  - GR - CONTROL RELAY
  - ES - EMERGENCY SWITCH
  - FLA - FULL LOAD AMPS
  - FU - FUSE
  - GFCI - GROUND FAULT CIRCUIT INTERRUPTOR
  - Hp - HORSE POWER
  - HP - HIGH PRESSURE SWITCH
  - HTL - HIGH TEMPERATURE LIMIT
  - ITS - INTERNAL THERMAL SENSOR
  - J - JUMPER
  - KW - KILOWATT
  - LLS - LIQUID LINE SOLENOID
  - LRA - LOCKED ROTOR AMPS
  - LP - LOW PRESSURE SWITCH
  - N - CONTACTOR
  - NP - MOTOR PROTECTOR
  - MCA - MINIMUM CIRCUIT AMPS
  - MCCB - MOLDED CASE CIRCUIT BREAKER
  - MFS - MAXIMUM FUSE SIZE
  - OL - OVERLOAD PROTECTOR
  - PL - PILOT LIGHT
  - PMR - PHASE MONITOR RELAY
  - POT - POTENTIOMETER
  - RLA - RATED LOAD AMPS
  - STG - STAGE
  - SW - SWITCH
  - TB - TERMINAL BLOCK
  - TR - TIMER RELAY
  - T - TRANSFORMER
  - TS - TEMP. SENSOR
  - R - RED
  - G - GREEN
  - A - AMBER
  - VFD - VARIABLE FREQ. DRIVE
  - \* - FIELD SUPPLY
  - ▲ - MANUAL RESET
  - - FACTORY WIRING
  - - - - - FIELD WIRING
  - △ - SEE NOTE 'h'
  - - CAN-LOCK

**CABLE SIZE**  
CONTROL - 14AWG  
A - 10AWG, BLACK  
B - 12AWG, BLACK

						THIS DOCUMENT IS THE PROPERTY OF SMARTTECH AND SHOULD NOT BE DISCLOSED OR USED WITHOUT THE EXPRESSED CONSENT OF COMPANY		PROJECT: Portable AC unit			
						DRAWN BY: JUN DATE: 08.12.2016		MODEL: SLIC12R-MS			
						CHECKED BY: [Signature] DATE: [Signature]		UNIT NO: 19095		DRAWING NO: S210840189 F.O NO:	
REV.	DESCRIPTION	DATE	REV. BY	CHK'D. BY	APP'D BY	APPROVED BY: [Signature]	DATE: 8/17/16			SHEET 1 OF 4	




REV.	DESCRIPTION	DATE	REV. BY	CHK'D. BY	APP'D BY	THIS DOCUMENT IS THE PROPERTY OF SMARTECH AND SHOULD NOT BE DISCLOSED OR USED WITHOUT THE EXPRESSED CONSENT OF COMPANY		PROJECT:	Portable AC unit		 www.SmartCoolingProducts.com 281-540-2805			
						DRAWN BY:	JUN	DATE:	08.12.2016	MODEL:		SLIC12R-MS		TITLE:
						CHECKED BY:		DATE:		UNIT NO:	19095	DRAWING NO:	S210840188	F.O NO:
						APPROVED BY:		DATE:	8/17/16			SHEET	2 OF 4	



TAGS:-

- (A) MAIN CIRCUIT BREAKER
- (B) CONTROL POWER INCORRECT POWER
- (C) BLOWER RUNNING BLOWER ON OFF BLOWER TRIP
- (D) COMPRESSOR RUNNING COMPRESSOR ON OFF COMPRESSOR TRIP
- (E) EMERGENCY STOP
- (F) SPD ADJ POT MIN MAX

						THIS DOCUMENT IS THE PROPERTY OF SMARTECH AND SHOULD NOT BE DISCLOSED OR USED WITHOUT THE EXPRESSED CONSENT OF COMPANY		PROJECT: Portable AC unit		 www.SmartCoolingProducts.com 281-540-8805	
						DRAWN BY: JUN DATE: 08.12.2016		MODEL: SLIC12R-MS			
						CHECKED BY: DATE:		UNIT NO: 19095		DRAWING NO: S210840189 F.O NO:	
REV.	DESCRIPTION	DATE	REV. BY	CHK'D. BY	APP'D BY	APPROVED BY:	DATE: 8/12/16			SHEET 3 OF 4	