

CERTIFIED DRAWING

EVAP. COIL : **Contact Factory**
 BLOWER : **BLW27021 + MTR27066 (Motor)**
 POWER SUPPLY : 460/3/60HZ

NOTE:

1. BLACK FRAME & BASE, STANDARD BEIGE PAINT.
2. VFD IS PROVIDED.
3. ALL DIMENSION TOLERANCE $\pm 1/2"$.

ALL DIMENSIONS ARE IN INCHES UNLESS OTHERWISE SPECIFIED.

DRAWN BY	ANG	DATE	10/09/2015
APPROVED BY	SP	DATE	11/09/2015

01.	TO CHANGE LOGO	14.09.15	ANG	
REV	DESCRIPTION	DATE	REV BY	APP BY



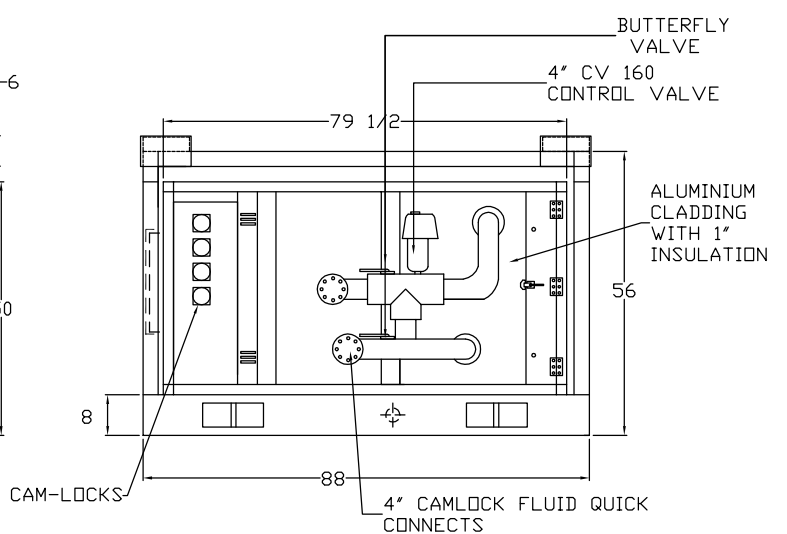
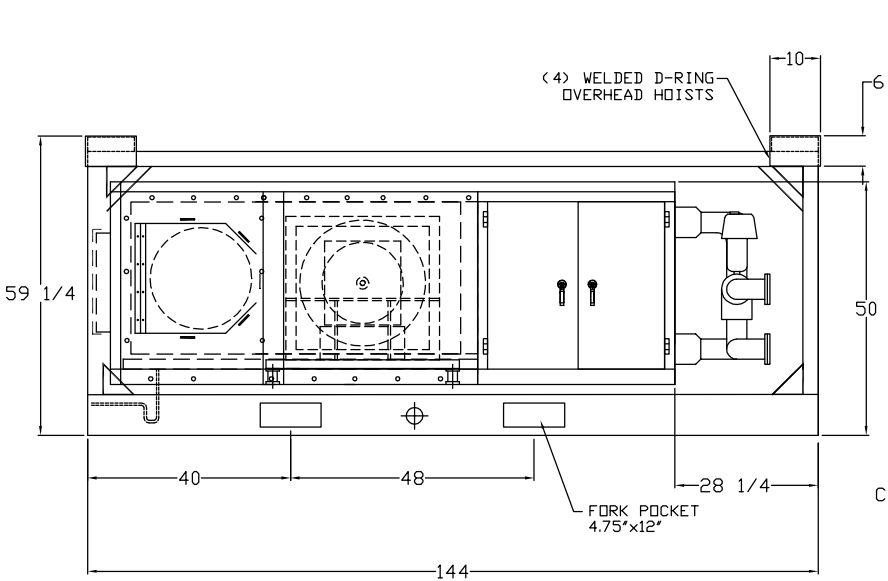
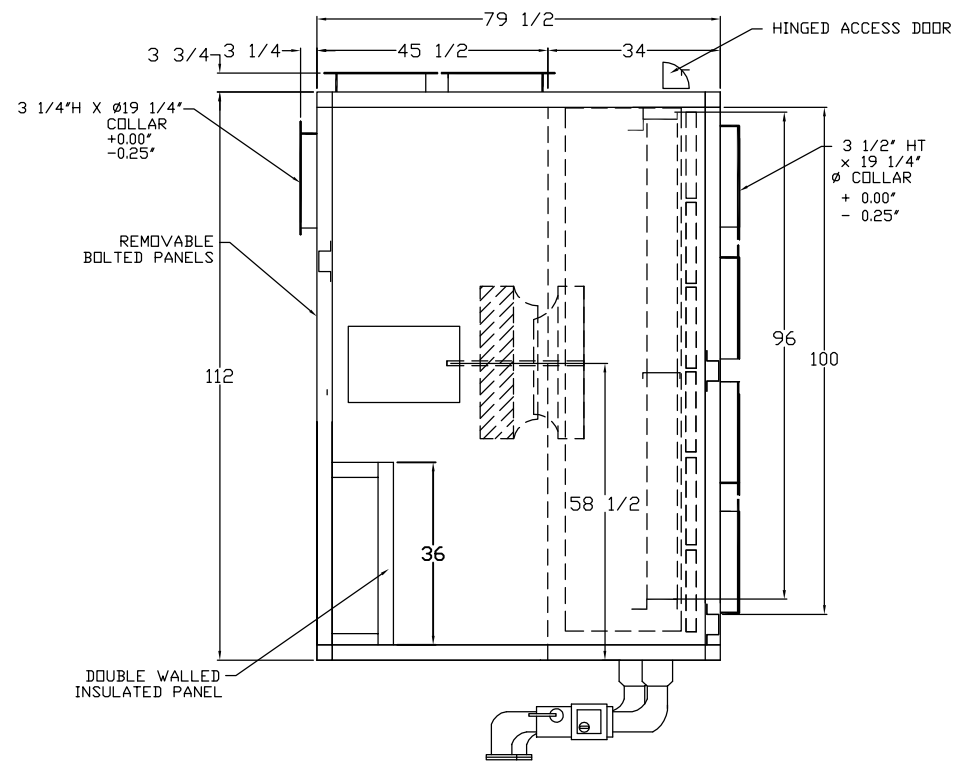
PROJECT 120 TON RENTAL AHU
F/O :

MODEL SMTAH1D 120Q

TITLE
 AIR HANDLING UNIT

DRAWING NO S110510N24

A4 **SCALE :** N.T.S **SHEET** OF



PLAN VIEW OF EVAP. BLOWER SECTION ONLY