

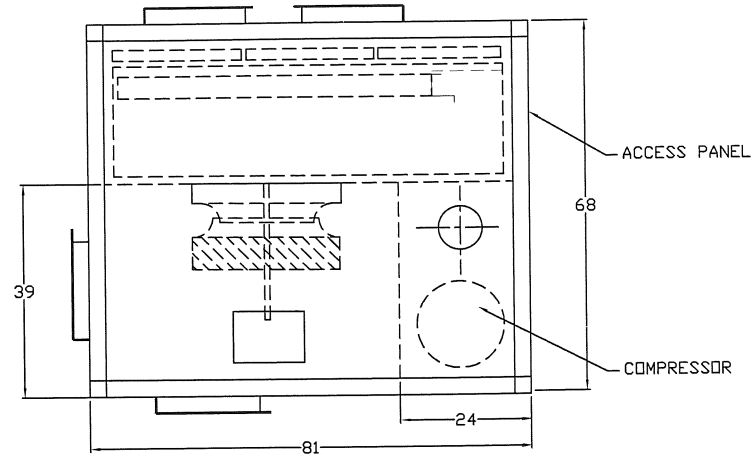
CERTIFIED DRAWING

COMP. : CPR27067
 COND. COIL : Contact Factory
 EVAP. COIL : Contact Factory

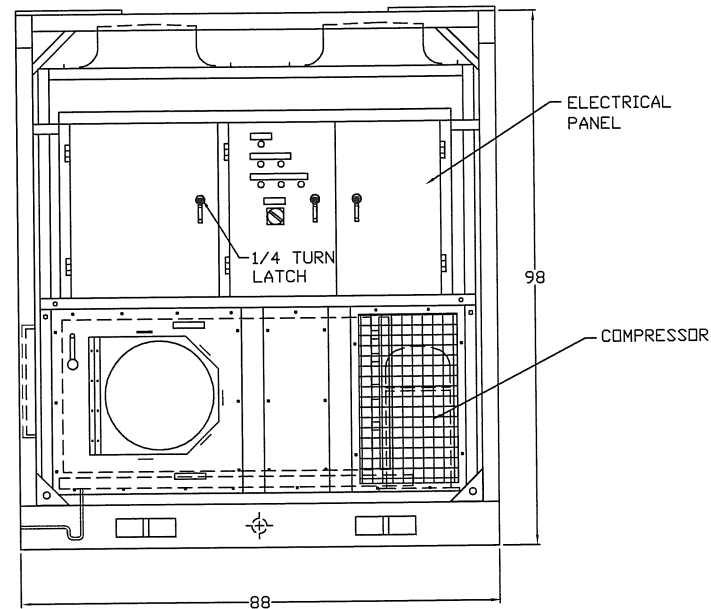
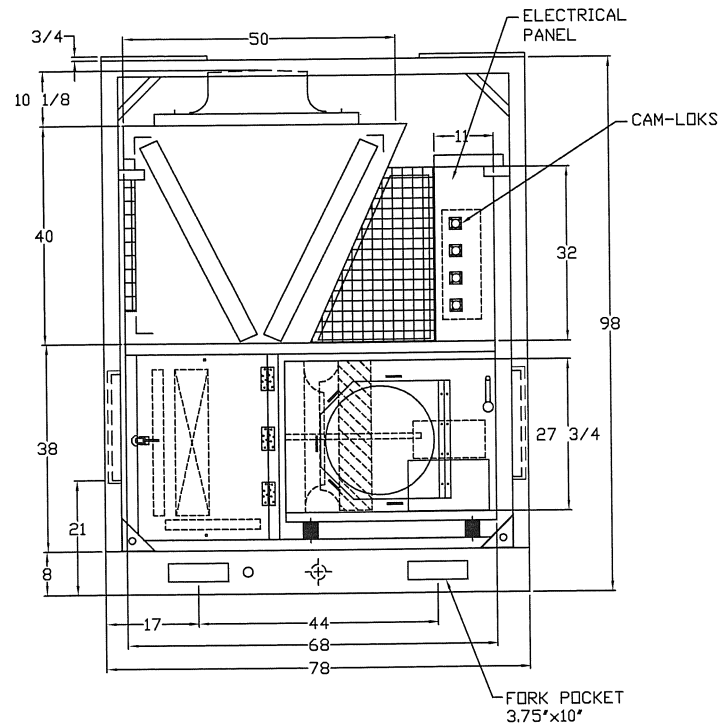
COND. FAN : BLW27018
 MOTOR : 2.0HP -(2)
 BLOWER : BLW27015
 POWER SUPPLY: 460/3/60HZ
 EST. WEIGHT : 4620LBS

ALL DIMENSIONS ARE IN INCHES UNLESS OTHERWISE SPECIFIED.

DRAWN BY	JUN	DATE	01/04/2014
APPROVED BY	<i>[Signature]</i>	DATE	1/8/14



PLAN VIEW OF EVAP. BLOWER SECTION ONLY



REV	DESCRIPTION	DATE	REV BY	APP BY



PROJECT 40 TON RENTAL ACs

F/O :

MODEL SACP 40A-HS

TITLE
 AIR COOLED PACKAGED

DRAWING NO S110840153

A4 SCALE : N.T.S SHEET OF