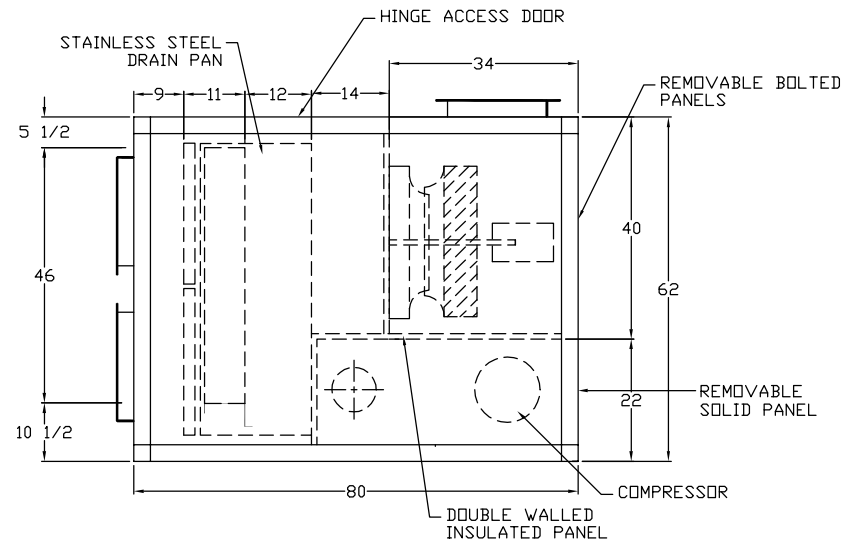


CERTIFIED DRAWING

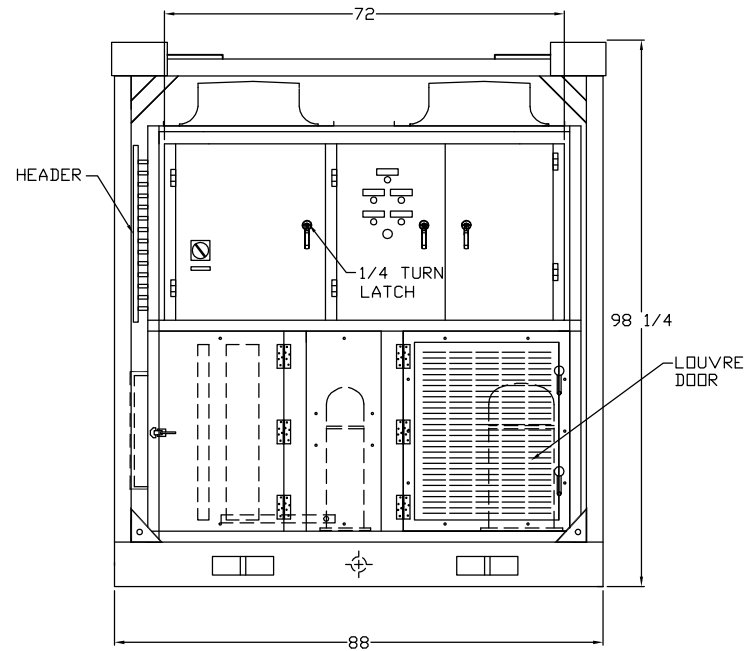
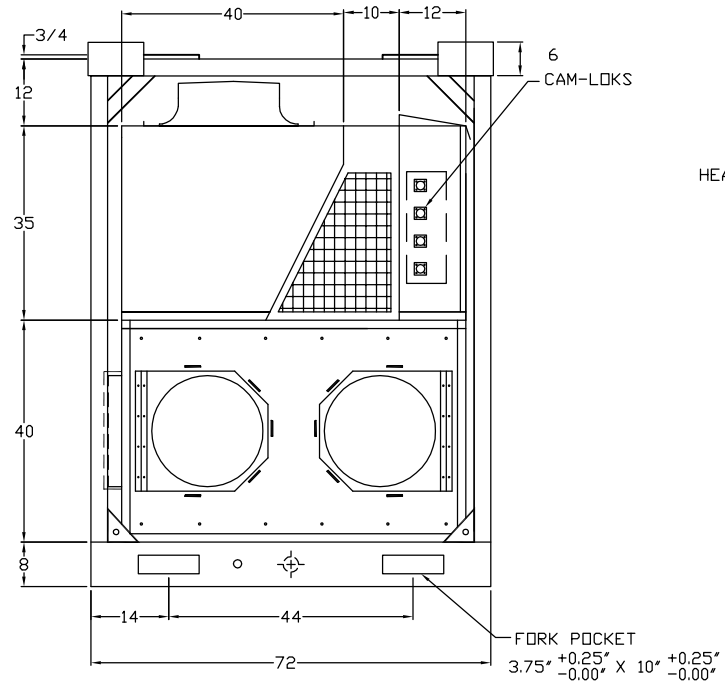
COMPRESSOR : CPR27021
 COND. COIL : Contact Factory
 COND. CIR. : 14 Circuit; 4Tubes/cir
 S/C CIR. : 4 Circuit; 2 Tubes/cir
 EVAP. COIL : Contact Factory
 COND. FAN : BLW27018
 MOTOR : MTR27101
 BLOWER : BLW27023
 POWER SUPPLY : 460/3/60

NOTE :
 1. ALL DIMENSION TOLERANCE $\pm 1/2"$
 ALL DIMENSIONS ARE IN INCHES UNLESS OTHERWISE SPECIFIED.

DRAWN BY	ANG	DATE	26/10/2015
APPROVED BY		DATE	



PLAN VIEW OF EVAP. BLOWER SECTION ONLY



REV	DESCRIPTION	DATE	REV BY	APP BY
-----	-------------	------	--------	--------



PROJECT

MODEL SACP 28A-HS

TITLE
AIR COOLED PACKAGED

DRAWING NO S110840171

A4	SCALE : N.T.S	SHEET	OF
----	---------------	-------	----