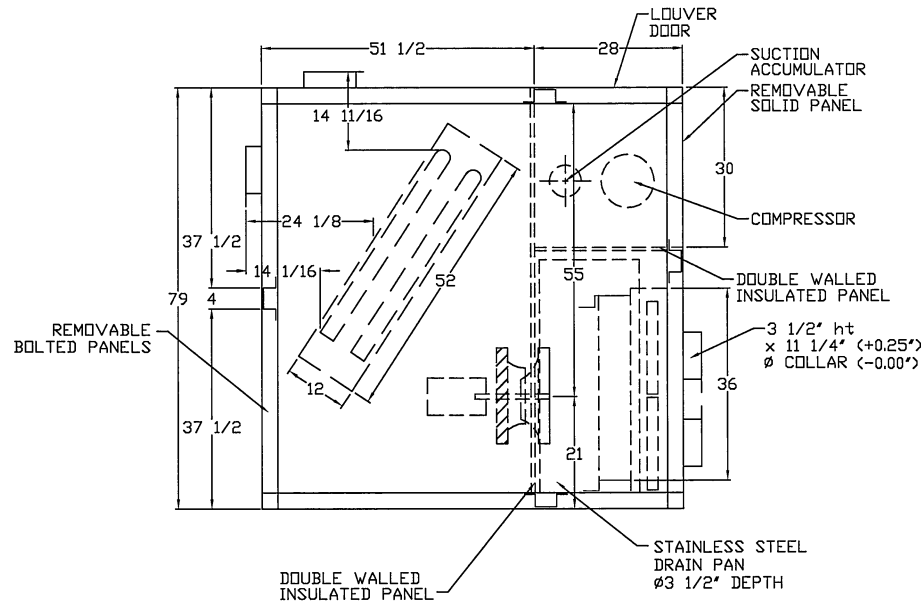
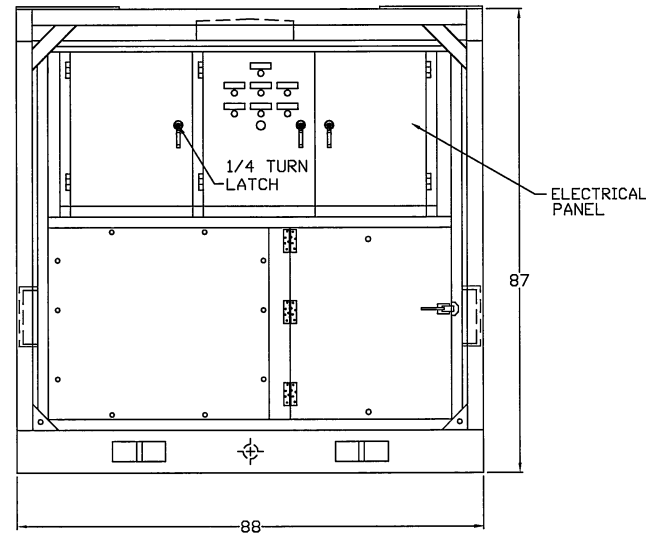
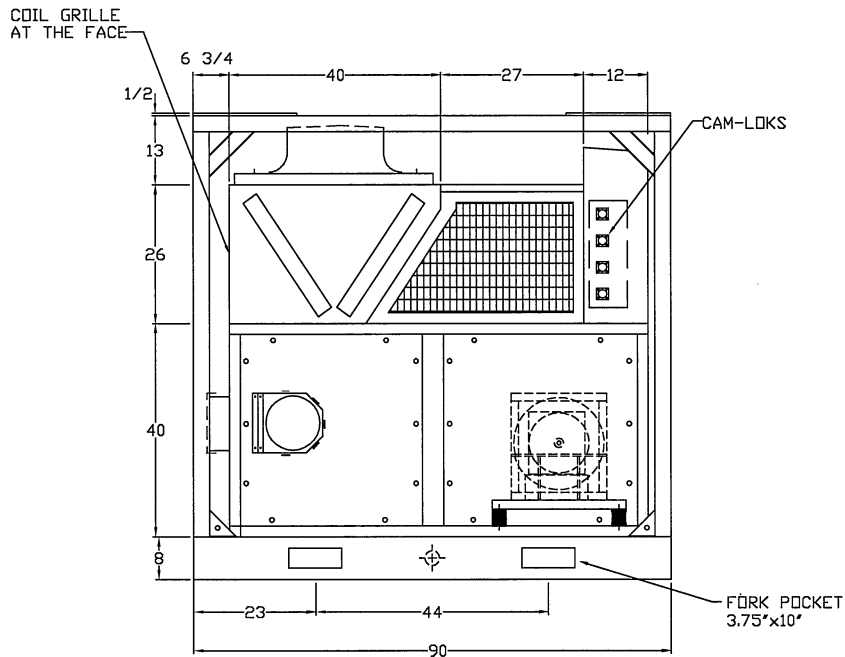


# CERTIFIED DRAWING

COMP. : CPR27080  
 COND. COIL : Contact Factory  
 EVAP. COIL : Contact Factory  
 COND. FAN : BLW27018  
 MOTOR : 2HP (BLW27018)  
 BLOWER : BLW27023  
 HEATER : 5.33kW/ELEMENT -(6) P/N: E-HTR27018  
 POWER SUPPLY: 460/3/60HZ



PLAN VIEW OF EVAP. BLOWER SECTION ONLY



ALL DIMENSIONS ARE IN INCHES UNLESS OTHERWISE SPECIFIED.

DRAWN BY ANG DATE 13/10/2014  
 APPROVED BY *[Signature]* DATE 14/10/14

REV	DESCRIPTION	DATE	REV BY	APP BY
-----	-------------	------	--------	--------

PROJECT 17080 SACP 12A-HS

F/O : SEG 500058

MODEL SACP 12A-HS

TITLE  
AIR COOLED PACKAGED

DRAWING NO S110840159

A4 SCALE : N.T.S SHEET OF