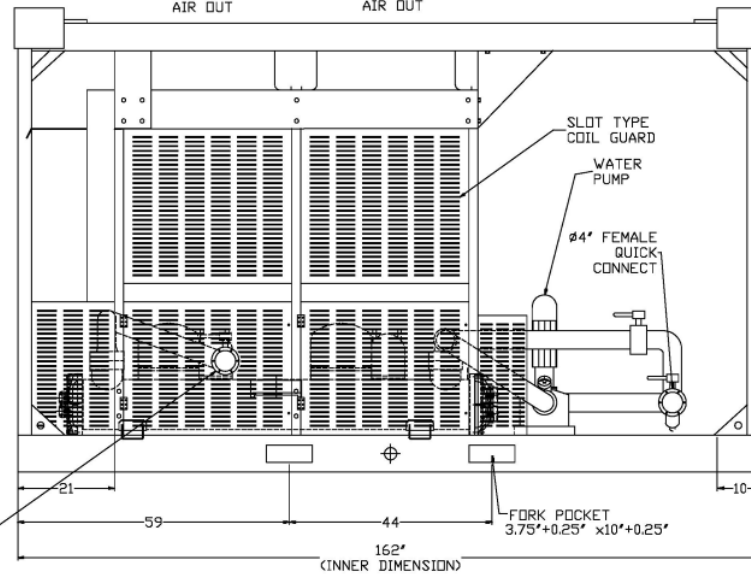
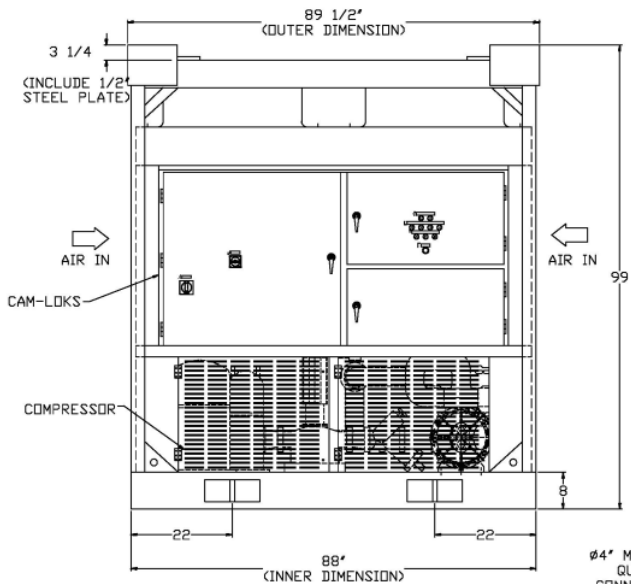
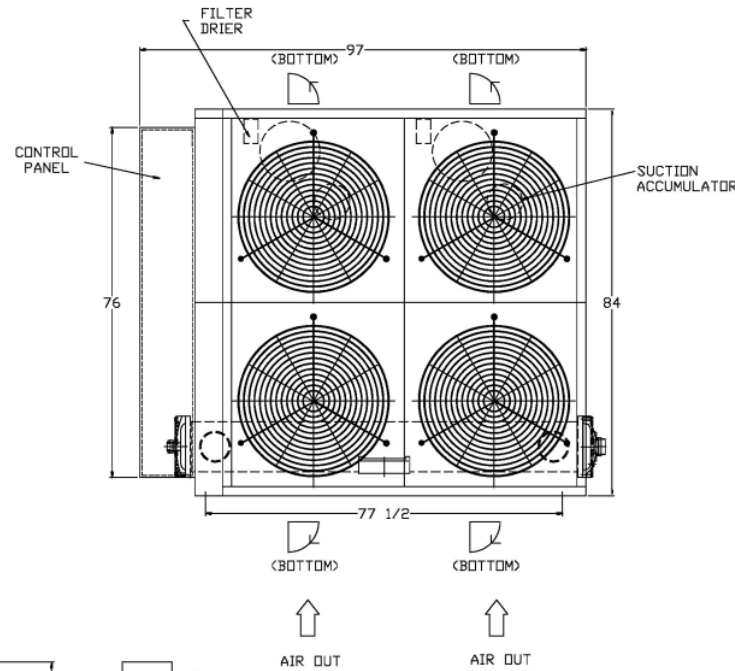


CERTIFIED DRAWING

COMP. : CPR27067
 COND. : CONTACT FACTORY
 COND. FAN : BLW27018
 EVAP : HEX27296
 SUC.ACC : HEX27001
 PUMP : PMP27355

ALL DIMENSIONS ARE IN INCHES UNLESS OTHERWISE SPECIFIED.

DRAWN BY	ANG	DATE	06/01/2016
APPROVED BY	CS TAN	DATE	06/01/2016



04	AS BUILT	14.04.16	NORMAN	
03	UNIT LENGTH WAS 152" PUMP WAS 7.5HP	08.03.16	HS CHAN	
02	REVISED PANEL LAYOUT	02.03.16	NORMAN	
01	UNIT LENGTH WAS 125"	19.02.16	NORMAN	

REV	DESCRIPTION	DATE	REV BY	APP BY
-----	-------------	------	--------	--------



PROJECT RENTAL SCROLL CHILLER

MODEL SCOD 070 AR4

TITLE AIR COOLED SCROLL DX RENTAL CHILLER

DRAWING NO S110550282

A4 SCALE : N.T.S SHEET OF