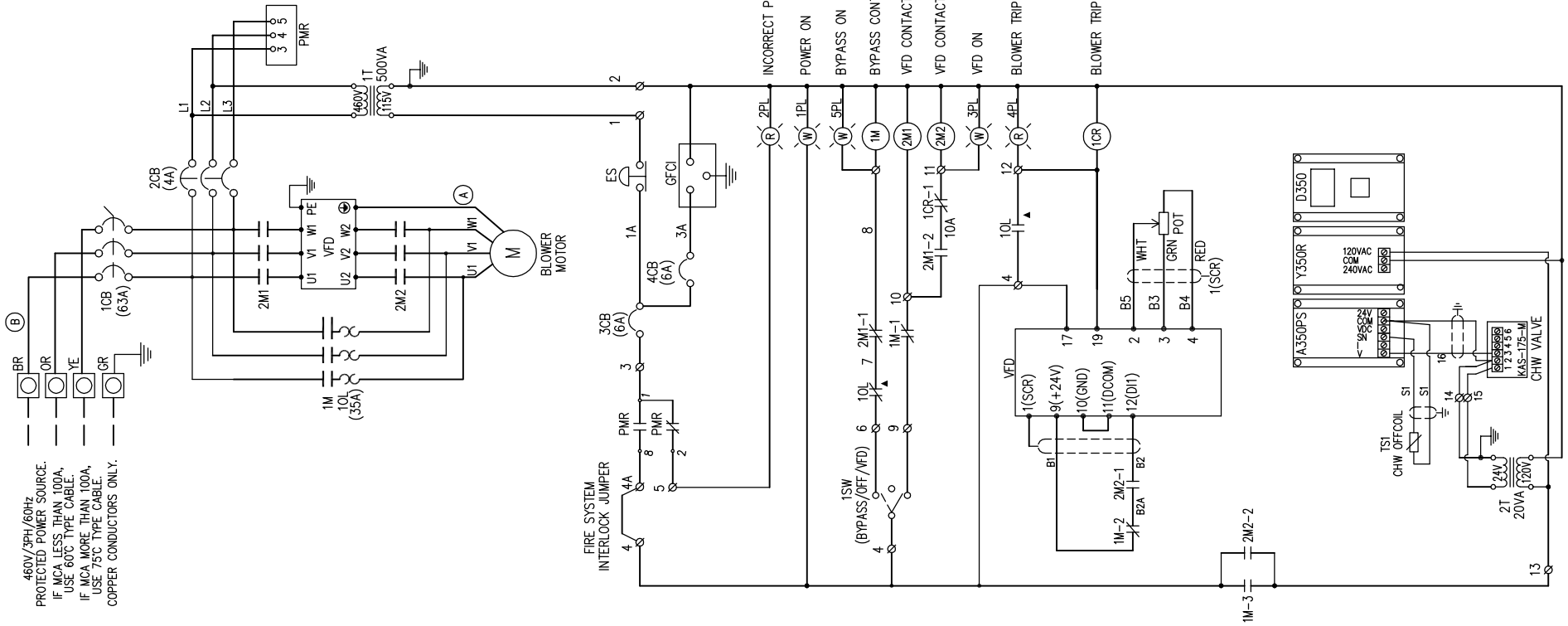


ELECTRICAL DATA	
MOTOR	Hp/AW RLA LRA
BLOWER	30Hp 34A 218A
UNIT DATA	
FLA	34A
MCA	45A
MFS	75A
CABLE SIZE	
CONTROL	- 14AWG
(A)	- 6 AWG, BLACK
(B)	- 2 AWG, BLACK
LEGEND	
AFS	AIR FLOW SWITCH
CB	CIRCUIT BREAKER
CO	CONVENTION OUTLET
CR	CONTROL RELAY
ES	EMERGENCY SWITCH
FLA	FUSE LOAD AMPS
FLC	FUSE LOAD CAPACITY
GFCI	GROUND FAULT CIRCUIT INTERRUPTOR
HP	HORSE POWER
HP	HIGH PRESSURE SWITCH
HTL	HIGH TEMPERATURE LIMIT
ITS	INTERNAL THERMAL SENSOR
J	JUMPER
KW	KILOWATT
LES	LOAD SENSING
LPA	LOW PRESSURE SWITCH
LPM	LOW PRESSURE MOTOR
M	MOTOR
MP	MOTOR PROTECTOR
MCA	MINIMUM CIRCUIT AMPS
MCCB	MOULDED CASE CIRCUIT BREAKER
MFS	MAXIMUM FUSE SIZE
OL	OVERLOAD PROTECTOR
PL	PILOT LIGHT
PR	PRESSURE RELAY
RA	RATED AMPERES
RLA	RATED LOAD AMPS
STG	STAGE
SW	SWITCH
TB	TERMINAL BLOCK
TR	TIMER RELAY
T	TRANSFORMER
TS	TEMP. SENSOR
R	RED
G	GREEN
A	AMBER
VFD	VARIABLE FREQ. DRIVE
*	FIELD SUPPLY
I	MANUAL RESET
—	FACTORY WIRING
—	FIELD WIRING
—	SEE NOTE "n"
—	CAM-LOCK
—	TERMINAL



REV.	DESCRIPTION	DATE	REV. BY	CHK'D. BY	APP'D BY	APPROVED BY:	DATE:
2	AS-BUILT	03.12.2015	JUN LAI	LAI LAI	LOW KC	THIS DOCUMENT IS THE PROPERTY OF SMARTECH AND SHOULD NOT BE DISCLOSED OR USED WITHOUT THE EXPRESSED CONSENT OF COMPANY	PROJECT: 120 TON RENTAL AHU
1	ADDED 3CB, 4CB, GFCI & FIRE SYS INTERLOCK; REVISED 1T TO 500VA	19.10.2015	LAI LAI	LAI LAI	LOW KC	DRAWN BY: LAI	MODEL: SMTAH1D 120Q
						CHECKED BY: LAI	TITLE: SCHEMATIC WIRING DIAGRAM
						APPROVED BY: LOW KC	DRAWING NO: S210510146
							F.O NO:
							SHEET 1

SMART FAMILY OF COOLING PRODUCTS
www.SmartCoolingProducts.com 281-540-2805