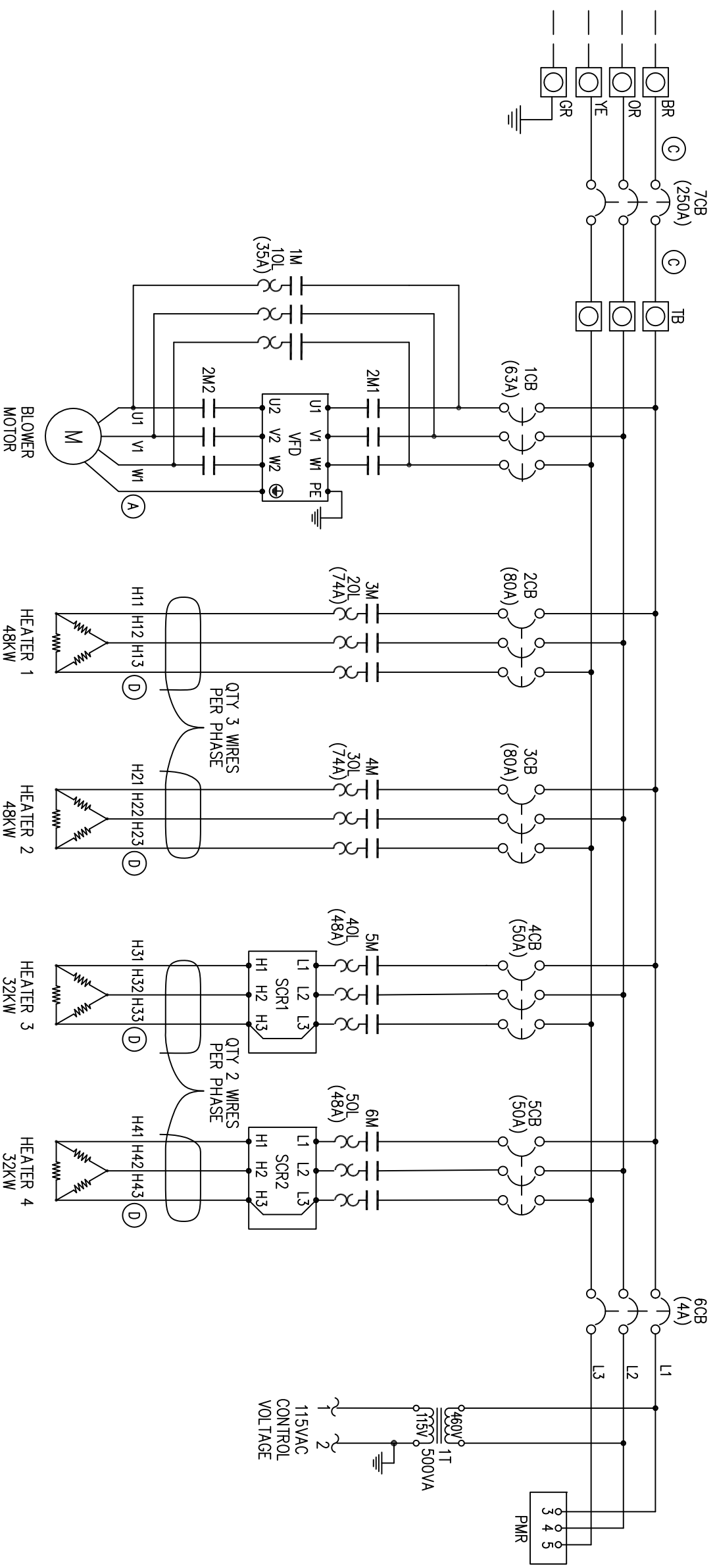


460V/3PH/60Hz
 PROTECTED POWER SOURCE.
 IF MCA LESS THAN 100A,
 USE 60°C TYPE CABLE.
 IF MCA MORE THAN 100A,
 USE 75°C TYPE CABLE.
 COPPER CONDUCTORS ONLY.



LEGEND

- AFS AIR FLOW SWITCH
- CB CIRCUIT BREAKER
- CO CONVENIENT OUTLET
- CR CONTROL RELAY
- ES EMERGENCY SWITCH
- FLA FULL LOAD AMPS
- FU FUSE
- GFCI GROUND FAULT CIRCUIT INTERRUPTOR
- HP HORSE POWER
- HP HIGH PRESSURE SWITCH
- HPL HIGH TEMPERATURE LIMIT
- HTL HIGH TEMPERATURE LIMIT
- ITS INTERNAL THERMAL SENSOR
- J JUMPER
- KV KILOWATT
- LLS LIQUID LINE SOLENOID
- LRA LOCKED ROTOR AMPS
- LP LOW PRESSURE SWITCH
- M CONTACTOR
- MP MOTOR PROTECTOR
- MCA MINIMUM CIRCUIT AMPS
- MCCB MOULDED CASE CIRCUIT BREAKER
- MFS MAXIMUM FUSE SIZE
- MFS OVERLOAD PROTECTOR
- OL PILOT LIGHT
- PL PHASE MONITOR RELAY
- PMR PHASE MONITOR RELAY
- POT POTENTIOMETER
- RLA RATED LOAD AMPS
- STG STAGE SWITCH
- TB TERMINAL BLOCK
- TR TIMER RELAY
- T TRANSFORMER
- TS TEMP. SENSOR
- R RED
- G GREEN
- A AMBER
- VFD VARIABLE FREQ. DRIVE

ELECTRICAL DATA

MOTOR	Hp/kw	RLA	LRA
BLOWER	30HP	34A	218A
HEATER 1~2	48KW	60A	-
HEATER 3~4	32KW	40A	-

UNIT DATA

FLA	234A
MCA	249A
MFS	300A

CABLE SIZE

CONTROL - 14AWG


(A) - 6 AWG, BLACK (D) - 10 AWG, BLACK

(B) - 3 AWG, BLACK

(C) - 4/0 AWG, BLACK

REV.	DESCRIPTION	DATE	REV. BY	CHK'D. BY	APP'D BY	APPROVED BY: KC LOW	DATE	PROJECT:	TITLE:
4	REFER PG 2	11.11.2015	LAI	LAI	KC LOW	THIS DOCUMENT IS THE PROPERTY OF SMARTTECH AND SHOULD NOT BE DISCLOSED OR USED WITHOUT THE EXPRESSED CONSENT OF COMPANY DRAWN BY: LAI CHECKED BY: LAI DATE: 07.09.2015 DATE: 07.09.2015	02.10.2015	PROJECT: 120 TON RENTAL AHU'S WITH ELECTRIC HEATER MODEL: SMTAH1D120Q UNIT NO: -	TITLE: SCHEMATIC WIRING DIAGRAM DRAWING NO: S210510147 SHEET 1
3	REVISED 7CB & ELEC. DATA	16.10.2015	LAI	LAI	KC LOW				
2	ADDED 20L, 30L, 4CB-0L & 5CB-0L	09.10.2015	LAI	LAI	KC LOW				
1	REVISED RATING OF 6CB & 1T	07.10.2015	LAI	LAI	KC LOW				



REV. 1	DESCRIPTION	DATE	REV. BY	CHK'D. BY	APP'D. BY	APPROVED BY:	DATE:	PROJECT:	MODEL:	TITLE:
2	ADDED FIRE SYS. INTERLOCK	07.10.2015	LAI	LAI	KC LOW	KC LOW	02.10.2015	120 TON RENTAL AHUS	SMTAH1D120Q	SCHEMATIC WIRING DIAGRAM
3	REFER PG. 1 & 3	16.10.2015	LAI	LAI	KC LOW	LAI	07.09.2015	WITH ELECTRIC HEATER		
4	ADDED PUSH-TO-TEST CIRCUIT	11.11.2015	LAI	LAI	KC LOW	LAI	07.09.2015			
THIS DOCUMENT IS THE PROPERTY OF SMARTTECH AND SHOULD NOT BE DISCLOSED OR USED WITHOUT THE EXPRESSED CONSENT OF COMPANY.								 SMART FAMILY OF COOLING PRODUCTS www.SmartCoolingProducts.com 281-540-2805		DRAWING NO: S210510147 SHEET 2

