



SMART FAMILY OF
COOLING PRODUCTS
www.SmartCoolingProducts.com 281-540-2805

PROJECT: RENTAL SCROLL CHILLER

TITLE: SCHEMATIC WIRING DIAGRAM

MODEL: SCOD 070AR4

THIS DOCUMENT IS THE PROPERTY OF SMARTTECH AND SHOULD NOT BE DISCLOSED OR USED WITHOUT THE EXPRESSED CONSENT OF COMPANY

DRAWN BY: LAI
CHECKED BY: LAI
APPROVED BY: KC LOW

DATE: 29.03.2016
DATE: 14.03.2016
DATE: 03.03.2016

DATE: 20.01.2016
DATE: 20.01.2016
DATE: 02.03.2016

DRAWING NO: S210720139

SHEET 1 OF 4

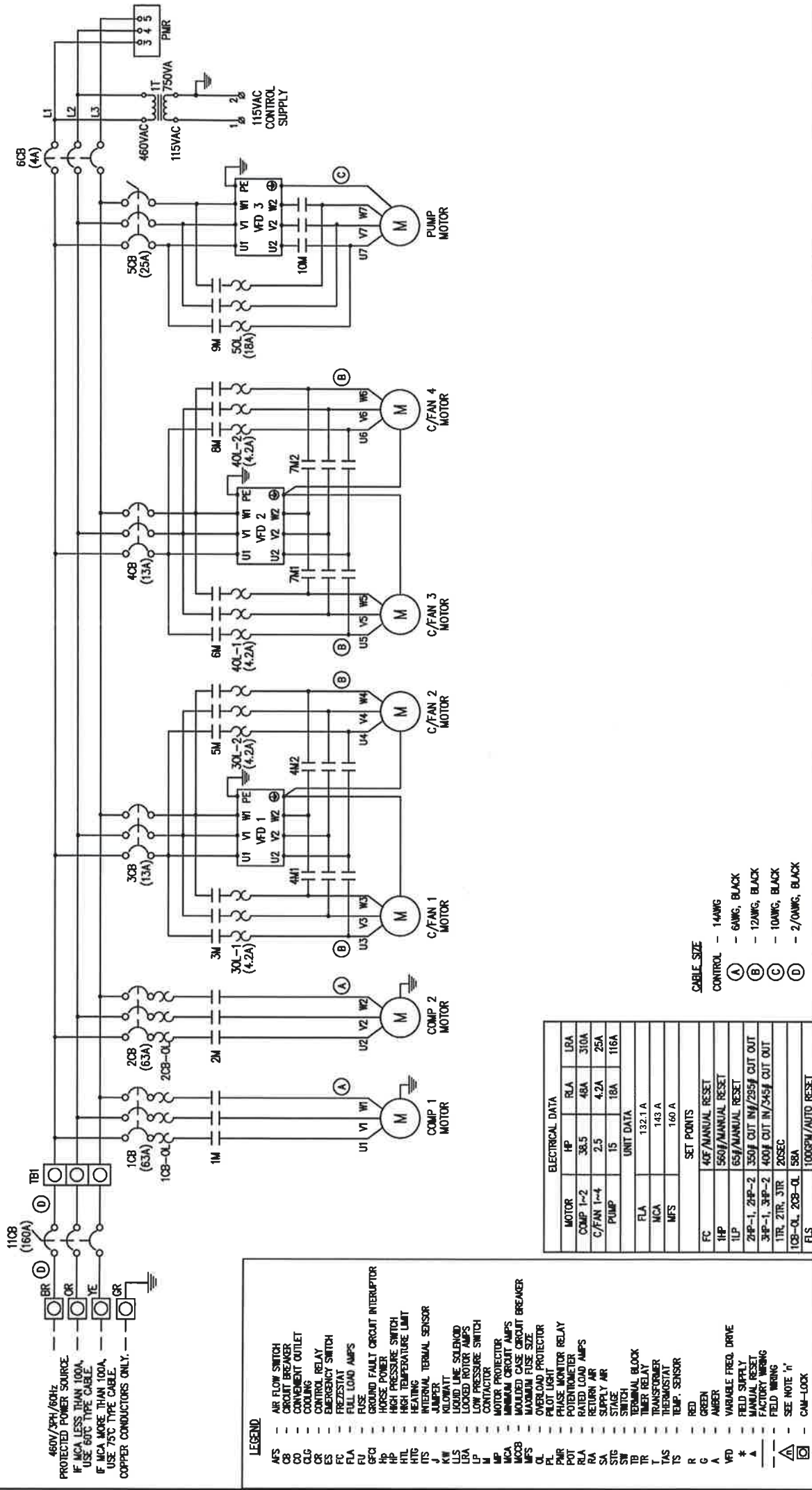
REV. DESCRIPTION

3 REVISED VFD 1&2 BRAND TO ABB

2 REFER PG.4

1 ADDED UNIT CB, REVISED PUMP TO 15HP

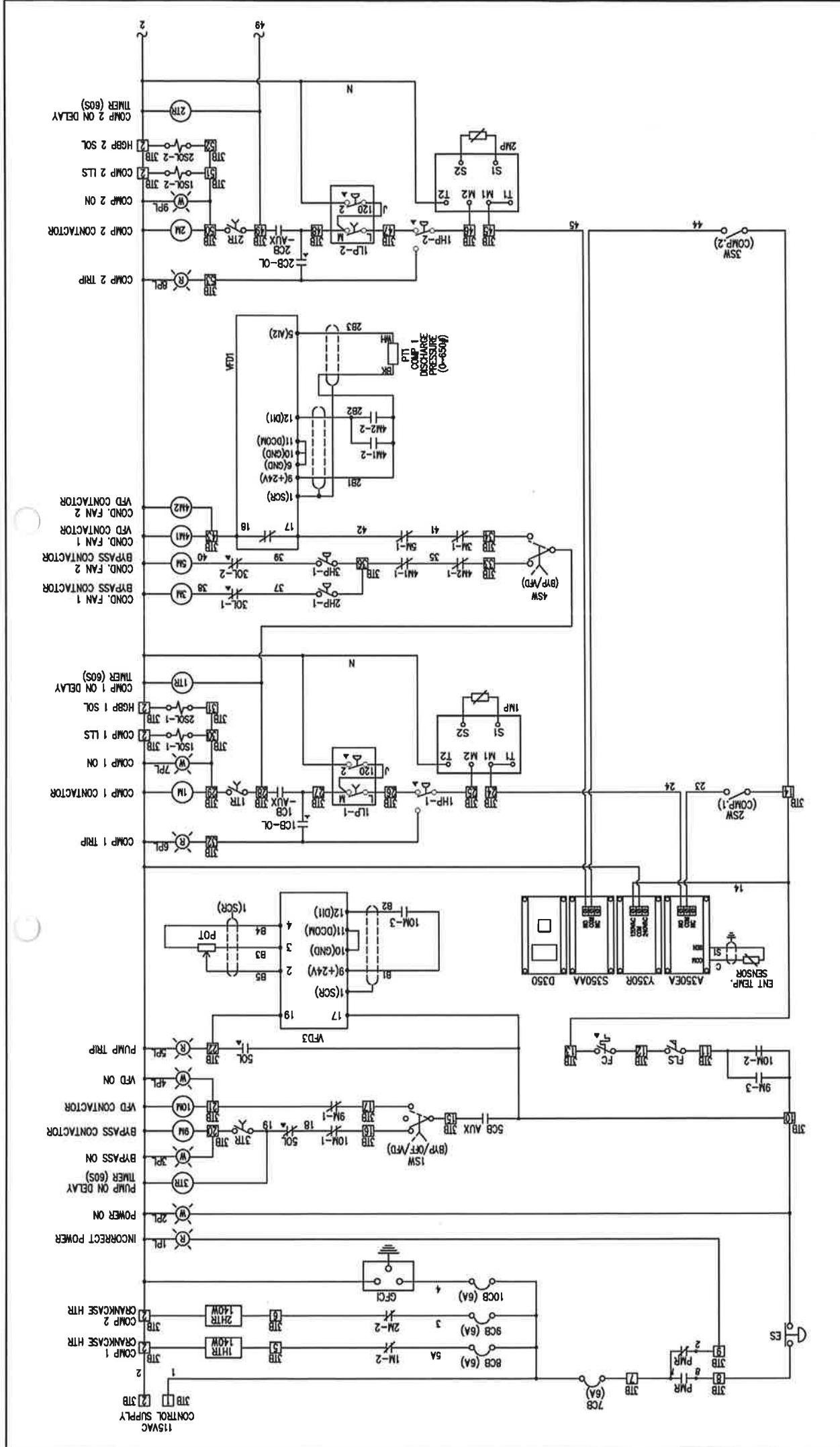
REV. DESCRIPTION DATE REV. BY CHK'D. BY APP'D BY



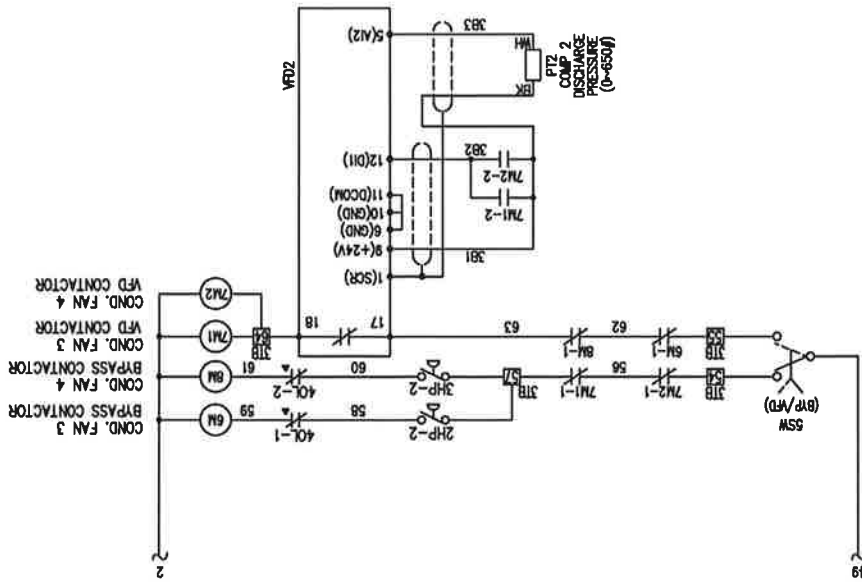
- LEGEND**
- AFS - AIR FLOW SWITCH
 - CB - CIRCUIT BREAKER
 - CO - COOLING
 - CLG - COOLING OUTLET
 - CR - CONTROL RELAY
 - ES - EMERGENCY SWITCH
 - FC - FREEZESTAT
 - FLA - FULL LOAD AMPS
 - FU - FUSE
 - GFCI - GROUND FAULT CIRCUIT INTERRUPTOR
 - HP - HORSE POWER
 - HTL - HIGH TEMPERATURE SWITCH
 - HTL - HIGH TEMPERATURE LIMIT
 - HTS - INTERNAL THERMAL SENSOR
 - ITS - INTERNAL THERMAL SENSOR
 - J - JUMPER
 - KW - KILOWATT
 - L - LIQUID LINE SLENOID
 - LLS - LOCKED ROTOR AMPS
 - LRA - LOW PRESSURE SWITCH
 - LP - CONTACTOR
 - M - MOTOR PROTECTOR
 - MCA - MINIMUM CIRCUIT AMPS
 - MCCB - MOULDED CASE CIRCUIT BREAKER
 - MFS - MAXIMUM FUSE SIZE
 - OL - OVERLOAD PROTECTOR
 - PL - PILOT LIGHT
 - PMR - PHASE MONITOR RELAY
 - POT - POTENTIOMETER
 - R - RATED LOAD AMPS
 - RA - RETURN AIR
 - SAL - SUPPLY AIR
 - SW - SWITCH
 - TS - THERMISTAT
 - TR - THERMAL BLOCK
 - TR - TRANSFORMER
 - T - THERMISTAT
 - TAS - TEMP. SENSOR
 - TS - TEMP. SENSOR
 - R - RED
 - G - GREEN
 - A - AMBER
 - VFD - VARIABLE FREQ. DRIVE
 - * - FIELD SUPPLY
 - * - MANUAL RESET
 - * - FACTORY WIRING
 - - - - - FIELD WIRING
 - - - - - SEE NOTE 'n'
 - ⊠ - CAM-LOCK

ELECTRICAL DATA	
MOTOR	LRA
COMP 1-2	310A
C/FAN 1-4	25A
PUMP	116A
UNIT DATA	
FLA	132.1 A
MCA	143 A
MFS	160 A
SET POINTS	
FC	40F/MANUAL RESET
HP	560F/MANUAL RESET
ILP	65F/MANUAL RESET
2HP-1, 2HP-2	350F CUT IN/295F CUT OUT
3HP-1, 3HP-2	400F CUT IN/345F CUT OUT
1TR, 2TR, 3TR	20SEC
1CB-OL, 2CB-OL	50A
FLS	100GPM/AUTO RESET

- CABLE SIZE**
- CONTROL - 14AWG
- (A) - 6AWG, BLACK
 - (B) - 12AWG, BLACK
 - (C) - 10AWG, BLACK
 - (D) - 2/0AWG, BLACK



	RENTAL SCROLL CHILLER		PROJECT: SCOD 070AR4		TITLE: SCHEMATIC WIRING DIAGRAM	
	THIS DOCUMENT IS THE PROPERTY OF SMARTTECH AND SHOULD NOT BE DISCLOSED OR USED WITHOUT THE EXPRESSED CONSENT OF COMPANY		MODEL:		DRAWING NO: S210720139	
	DATE: 20.01.2016		DATE: 20.01.2016		SHEET 2 OF 4	
DATE: 02.03.2016		DATE: 02.03.2016		DATE: 02.03.2016		F.O. NO:
DATE: 03.03.2016		DATE: 03.03.2016		DATE: 03.03.2016		UNIT NO:
DATE: 14.05.2016		DATE: 14.05.2016		DATE: 14.05.2016		SHEET 2 OF 4
DATE: 29.03.2016		DATE: 29.03.2016		DATE: 29.03.2016		SMART/REV/DATE/REV/REV/REV
REV.	DESCRIPTION	REV. BY	CHK'D. BY	APP'D BY	APPROVED BY: KC LOW	DATE:
1	ADDED 3TR, 2HP-1, 3HP-1	LAI	LAI	LAI	APPROVED BY: KC LOW	DATE:
2	REFER PG.4	LAI	LAI	LAI	APPROVED BY: KC LOW	DATE:
3	REVISED VFD 1&2 BRAND TO ABB	LAI	LAI	LAI	APPROVED BY: KC LOW	DATE:



SMART FAMILY OF COOLING PRODUCTS
www.SmartCoolingProducts.com 261-540-2805

PROJECT: RENTAL SCROLL CHILLER

TITLE: SCHEMATIC WIRING DIAGRAM

MODEL: SCOD 070AR4

UNIT NO: S210720139

SHEET 3 OF 4

THIS DOCUMENT IS THE PROPERTY OF SMARTTECH AND SHOULD NOT BE DISCLOSED OR USED WITHOUT THE EXPRESSED CONSENT OF COMPANY

DRAWN BY: LAI DATE: 20.01.2016

CHECKED BY: LAI DATE: 20.01.2016

APPROVED BY: KC LOW DATE: 02.03.2016

REV.	DESCRIPTION	DATE	CHK'D. BY	APP'D BY
3	REVISED VFD 1&2 BRAND TO ABB	29.03.2016	LAI	KC LOW
2	REFER PG.4	14.03.2016	LAI	LAI
1	ADDED 2HP-2, 3HP-2	03.03.2016	LAI	LAI