

460V/3PH/60Hz  
PROTECTED POWER SOURCE.  
IF MCA LESS THAN 100A,  
USE 60°C TYPE CABLE.  
IF MCA MORE THAN 100A,  
USE 75°C TYPE CABLE.  
COPPER CONDUCTORS ONLY.

ELECTRICAL DATA			
MOTOR	HP/kw	RLA	LRA
BLOWER	25HP	29.1A	183A
COMP 1~2	40HP	49A	310A
C/FAN 1~4	2HP	4.0A	25A


UNIT DATA	
FLA	143.1A
MCA	156A
MFS	200A

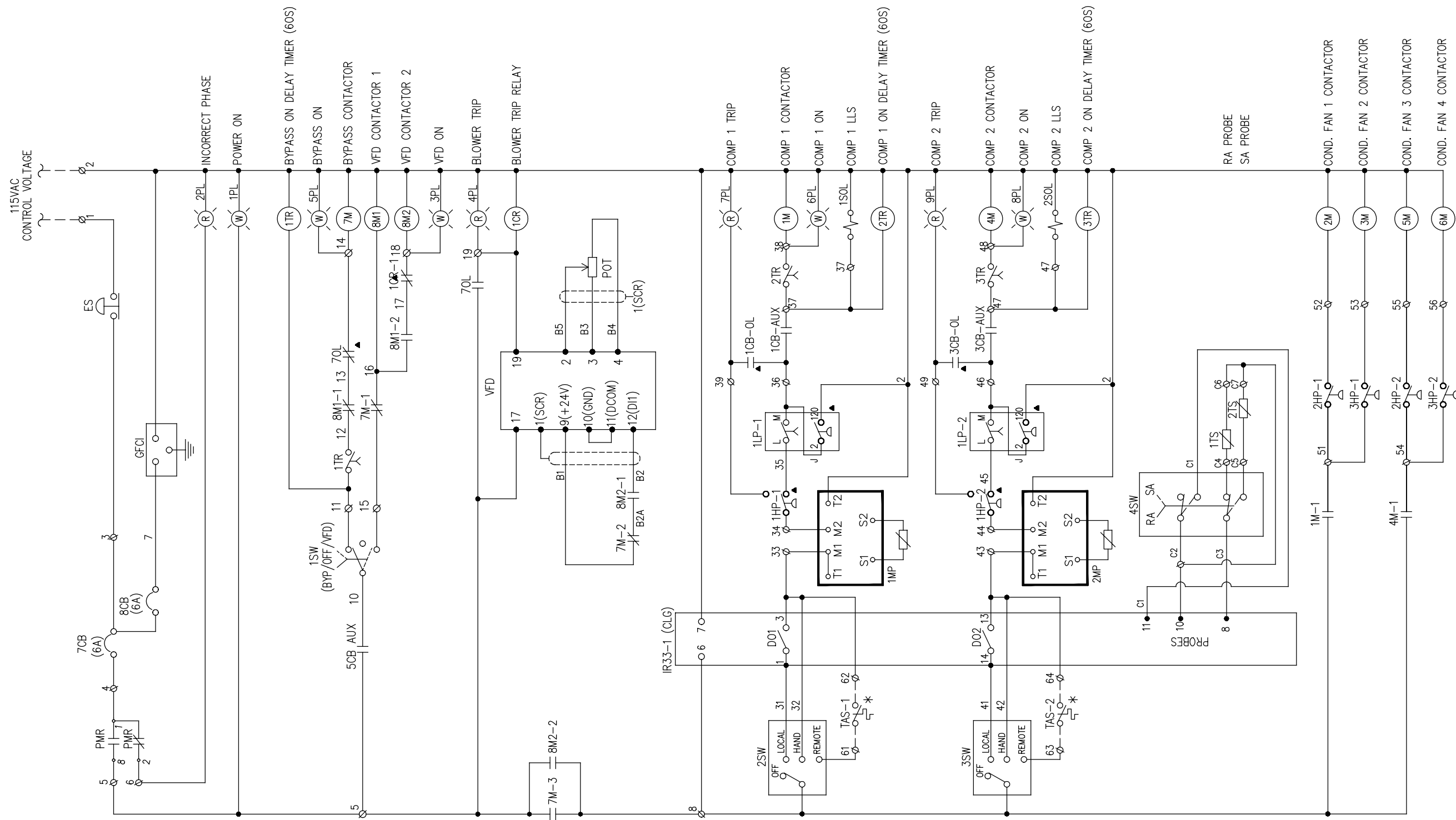
SET POINTS	
1HP	560#/MANUAL RESET
2HP	350#/CUT IN/295# CUT-OUT
3HP	400#/CUT IN/345# CUT-OUT
1LP	65#/MANUAL RESET
1TR, 2TR, 3TR	60 SEC
1CB-OL, 3CB-OL	60A
7OL	30A

IR33 SETTINGS	
IR33-1 (CLG)	70F (BY RA PROBE) 55F (BY SA PROBE)

- LEGEND**
- AFS - AIR FLOW SWITCH
  - CB - CIRCUIT BREAKER
  - CO - CONVENIENT OUTLET
  - CR - CONTROL RELAY
  - ES - EMERGENCY SWITCH
  - FLA - FULL LOAD AMPS
  - FU - FUSE
  - GFCI - GROUND FAULT CIRCUIT INTERRUPTOR
  - HP - HORSE POWER
  - HP - HIGH PRESSURE SWITCH
  - HTL - HIGH TEMPERATURE LIMIT
  - ITS - INTERNAL THERMAL SENSOR
  - J - JUMPER
  - KW - KILOWATT
  - LLS - LIQUID LINE SOLENOID
  - LRA - LOCKED ROTOR AMPS
  - LP - LOW PRESSURE SWITCH
  - M - CONTACTOR
  - MP - MOTOR PROTECTOR
  - MCA - MINIMUM CIRCUIT AMPS
  - MCCB - MOULDED CASE CIRCUIT BREAKER
  - MFS - MAXIMUM FUSE SIZE
  - OL - OVERLOAD PROTECTOR
  - PL - PILOT LIGHT
  - PMR - PHASE MONITOR RELAY
  - POT - POTENTIOMETER
  - RLA - RATED LOAD AMPS
  - STG - STAGE
  - SW - SWITCH
  - TB - TERMINAL BLOCK
  - TR - TIMER RELAY
  - T - TRANSFORMER
  - TS - TEMP. SENSOR
  - R - RED
  - G - GREEN
  - A - AMBER
  - VFD - VARIABLE FREQ. DRIVE
  - \* - FIELD SUPPLY
  - ▲ - MANUAL RESET
  - - FACTORY WIRING
  - - - - - FIELD WIRING
  - △ - SEE NOTE 'n'
  - - CAM-LOCK

- CABLE SIZE**
- CONTROL - 14AWG
  - (A) - 6AWG, BLACK
  - (B) - 8AWG, BLACK
  - (C) - 12AWG, BLACK

01.	SEE SHEETS 2 & 3 OF 3	13.03.2015	ANA	CHK'D. BY	APP'D BY	THIS DOCUMENT IS THE PROPERTY OF SMARTECH AND SHOULD NOT BE DISCLOSED OR USED WITHOUT THE EXPRESSED CONSENT OF COMPANY		PROJECT:		
						DRAWN BY: ANA	DATE: 23.02.2015	MODEL: SACP 80A-HS		TITLE: SCHEMATIC WIRING DIAGRAM
						CHECKED BY: -	DATE: -	UNIT NO: -		DRAWING NO: S210840150
REV.	DESCRIPTION	DATE	REV. BY	CHK'D. BY	APP'D BY	APPROVED BY: LOW KC	DATE: 06.03.2015	SHEET 1	DRAWING NO: S210840150	F.O NO:



01.	UPDATE TIMER NUMBERING	13.03.2015	ANA			THIS DOCUMENT IS THE PROPERTY OF SMARTECH AND SHOULD NOT BE DISCLOSED OR USED WITHOUT THE EXPRESSED CONSENT OF COMPANY	PROJECT:	SAC P 80A-HS	TITLE: SCHEMATIC WIRING DIAGRAM
	REV.	DESCRIPTION	DATE	REV. BY	CHK'D. BY	APP'D BY	APPROVED BY: LOW KC		
							MODEL:		
							UNIT NO:	-	SHEET 2 OF 3

