

- LEGEND**
- AFS - AIR FLOW SWITCH
 - CB - CIRCUIT BREAKER
 - CO - CONVENIENT OUTLET
 - CR - CONTROL RELAY
 - ES - EMERGENCY SWITCH
 - FLA - FULL LOAD AMPS
 - FU - FUSE
 - GFCI - GROUND FAULT CIRCUIT INTERRUPTOR
 - Hp - HORSE POWER
 - HP - HIGH PRESSURE SWITCH
 - HTL - HIGH TEMPERATURE LIMIT
 - ITS - INTERNAL THERMAL SENSOR
 - J - JUMPER
 - KW - KILOWATT
 - LLS - LIQUID LINE SOLENOID
 - LRA - LOCKED ROTOR AMPS
 - LP - LOW PRESSURE SWITCH
 - M - CONTACTOR
 - MP - MOTOR PROTECTOR
 - MCA - MINIMUM CIRCUIT AMPS
 - MCCB - MOULDED CASE CIRCUIT BREAKER
 - MFS - MAXIMUM FUSE SIZE
 - OL - OVERLOAD PROTECTOR
 - PL - PILOT LIGHT
 - PMR - PHASE MONITOR RELAY
 - POT - POTENTIOMETER
 - RLA - RATED LOAD AMPS
 - STG - STAGE
 - SW - SWITCH
 - TB - TERMINAL BLOCK
 - TR - TIMER RELAY
 - T - TRANSFORMER
 - TAS - THERMOSTAT
 - TS - TEMP. SENSOR
 - R - RED
 - G - GREEN
 - A - AMBER
 - VFD - VARIABLE FREQ. DRIVE
 - * - FIELD SUPPLY
 - ▲ - MANUAL RESET
 - - FACTORY WIRING
 - - - - - FIELD WIRING
 - △ - SEE NOTE 'n'
 - - CAM-LOCK

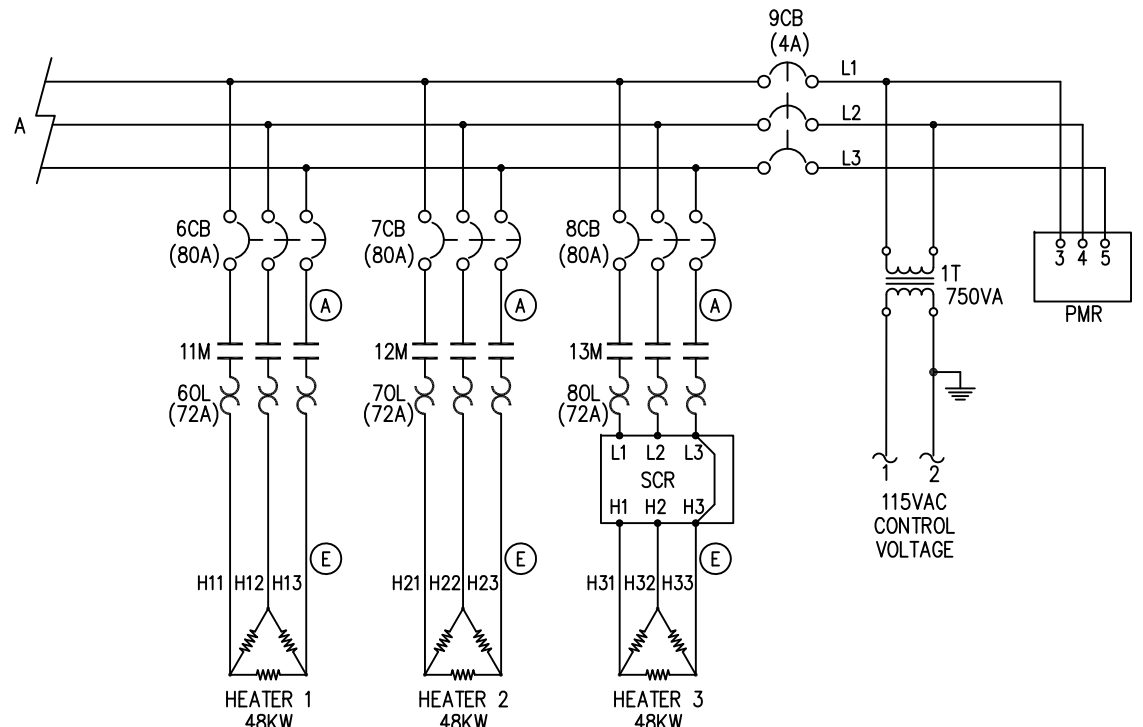
ELECTRICAL DATA			
MOTOR	HP/kW	RLA	LRA
BLOWER	30HP	34A	218A
COMPRESSOR1~2	40HP	49.3A	310A
C/FAN 1~4	2HP	4.2A	25A
HEATER 1~3	48KW	60A	-

UNIT DATA	
FLA	214A
MCA	229A
MFS	300A

SET POINTS	
1HP	560#/MANUAL RESET
2HP	350#/CUT IN/295# CUT-OUT
3HP	400#/CUT IN/345# CUT-OUT
1LP	65#/MANUAL RESET
1~3TR	60 SEC
1CB-OL, 3CB-OL	59A
50L	35A

IR33 SETTINGS	
IR33-1 (CLG)	70F (BY RA PROBE) 55F (BY SA PROBE)
IR33-2 (HTG)	78F (BY RA PROBE)
IR33-3 (DH)	95F (BY SA PROBE)

- CABLE SIZE**
- CONTROL - 14AWG
 - (A) - 4AWG, BLACK
 - (B) - 6AWG, BLACK
 - (C) - 12AWG, BLACK
 - (D) - 4/0AWG, BLACK
 - (E) - 3X10AWG, BLACK



Milo 2016-01-20 17775

REV.	DESCRIPTION	DATE	REV. BY	CHK'D. BY	APP'D BY
4	AS-BUILT	03.12.2015	JUN	LAI	
3	REFER PG 2, 3 & 4	11.11.2015	LAI	LAI	KC LOW
2	ADDED 60L, 70L & 80L	12.10.2015	LAI	LAI	KC LOW
1	REVISED C/FANS STARTER	08.10.2015	LAI	LAI	KC LOW

THIS DOCUMENT IS THE PROPERTY OF SMARTECH AND SHOULD NOT BE DISCLOSED OR USED WITHOUT THE EXPRESSED CONSENT OF COMPANY

APPROVED BY: KC LOW DATE: 02.10.2015

CHECKED BY: LAI DATE: 15.09.2015

DRAWN BY: LAI DATE: 15.09.2015

PROJECT: 80TON RENTAL AC WITH HEAT

MODEL: SACP 80A-HS

UNIT NO: -



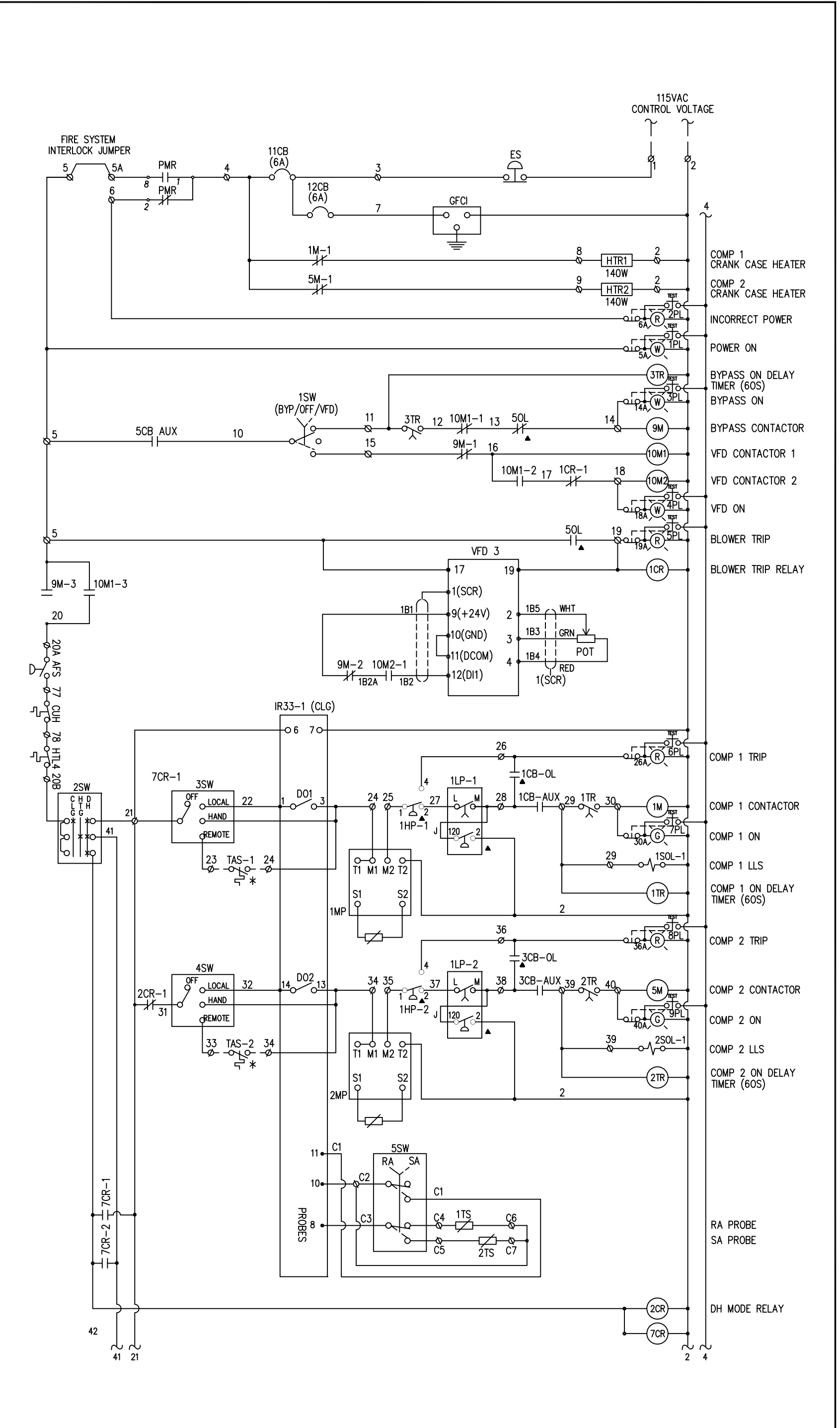
www.SmartCoolingProducts.com 281-540-2805

TITLE: SCHEMATIC WIRING DIAGRAM

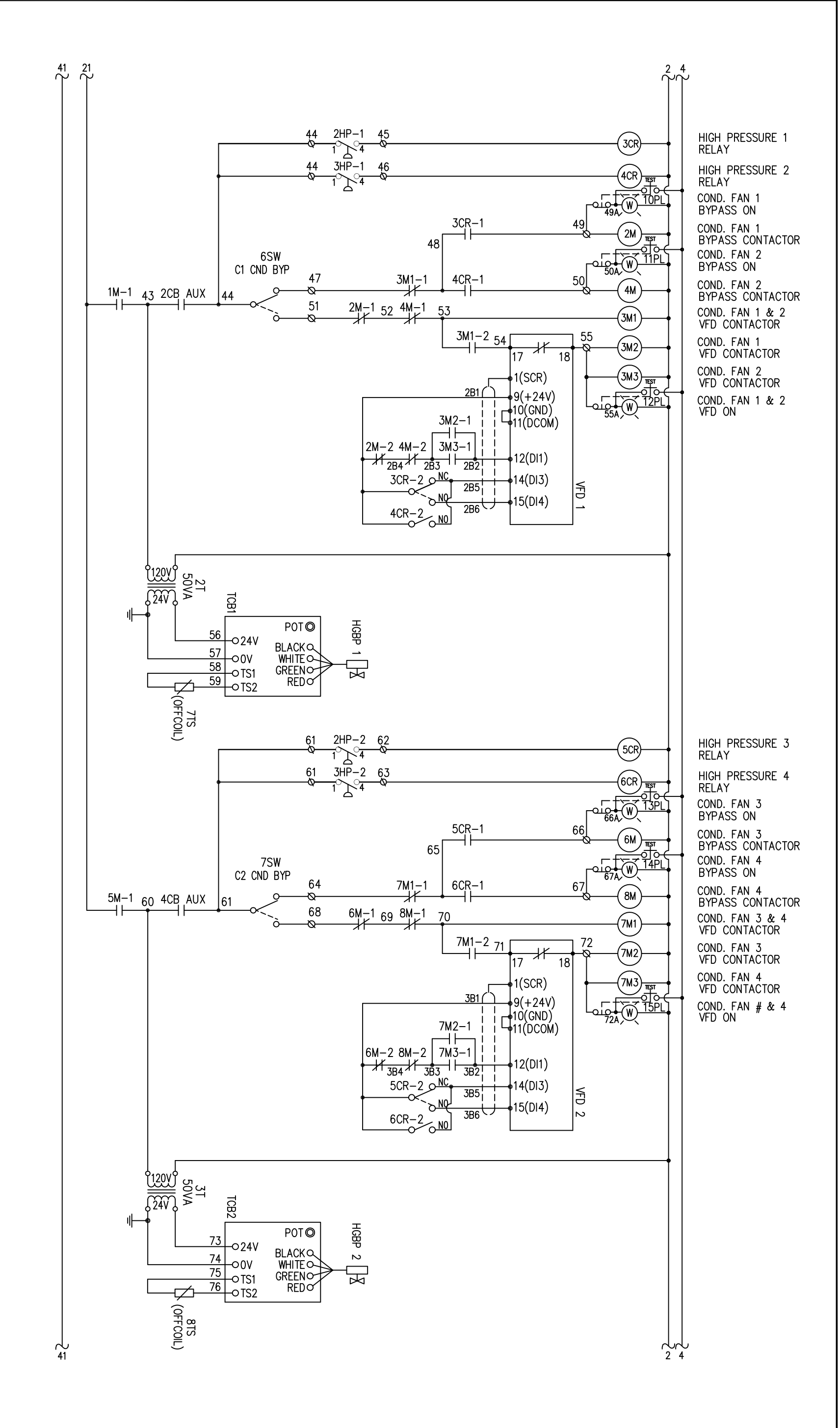
DRAWING NO: S210840168 F.O NO:

SHEET 1

REV.	DESCRIPTION	DATE	REV. BY	CHK'D. BY	APP'D BY	APPROVED BY:	DATE:	UNIT NO:	MODEL:	TITLE:
1	AS-BUILT	03.12.2015	JUN LAI	LAI	KC LOW	THIS DOCUMENT IS THE PROPERTY OF SMARTTECH AND SHOULD NOT BE DISCLOSED OR USED WITHOUT THE EXPRESSED CONSENT OF COMPANY	15.09.2015	-	SACP 80A-HS	SCHEMATIC WIRING DIAGRAM
2	ADDED FIRE SYS. INTERLOCK, CHANGED 7PL & 9PL TO GREEN	11.11.2015	LAI	LAI	KC LOW		02.10.2015			
3	ADDED PUSH TO TEST CIRCUIT	12.10.2015	LAI	LAI	KC LOW		15.09.2015			
4	REVISED COMPONENTS NUMBERING	08.10.2015	LAI	LAI	KC LOW		02.10.2015			
PROJECT: 80TON RENTAL AC WITH HEAT SMART FAMILY OF COOLING PRODUCTS www.smartcoolingproducts.com 281-540-2805 DRAWING NO: S210840168 SHEET 2 F.O. NO:										



REV.	DESCRIPTION	DATE	REV. BY	CHK'D. BY	APP'D BY	APPROVED BY:	DATE:	UNIT NO:	SHEET	F.O. NO:
1	REVISED C/FANS CONTROL	08.10.2015	LAI	LAI	KC LOW	CHECKED BY: LAI	DATE: 15.09.2015	-	3	
2	REFER PAGE 1, 2, 4 & 5	12.10.2015	LAI	LAI	KC LOW					
3	ADDED PUSH TO TEST CIRCUIT	11.11.2015	LAI	LAI	KC LOW	DRAWN BY: LAI	DATE: 15.09.2015			
4	AS-BUILT	03.12.2015	JUN	LAI	KC LOW					



SMART FAMILY OF COOLING PRODUCTS
 www.SmartCoolingProducts.com 891-540-8905

TITLE: SCHEMATIC WIRING DIAGRAM

DRAWING NO: S210840168

THIS DOCUMENT IS THE PROPERTY OF SMARTTECH AND SHOULD NOT BE DISCLOSED OR USED WITHOUT THE EXPRESSED CONSENT OF COMPANY

REV.	DESCRIPTION	DATE	REV. BY	CHK'D. BY	APP'D. BY	APPROVED BY:	DATE:	PROJECT:	MODEL:	UNIT NO:	TITLE:	SHEET	F.O. NO:
1	AS-BUILT	03.12.2015	JUN	LAI	KC LOW	THIS DOCUMENT IS THE PROPERTY OF SMARTTECH AND SHOULD NOT BE DISCLOSED OR USED WITHOUT THE EXPRESSED CONSENT OF COMPANY	15.09.2015	80TON RENTAL AC WITH HEAT	SACP 80A-HS	-	SCHEMATIC WIRING DIAGRAM	4	-
2	ADDED PUSH TO TEST CIRCUIT	11.11.2015	LAI	LAI	KC LOW		15.09.2015						
3	REVISED 16PL~18PL TO GREEN	12.10.2015	LAI	LAI	KC LOW		02.10.2015						
4	ADDED PAGE 4	08.10.2015	LAI	LAI	KC LOW								

