

ELECTRICAL DATA

MOTOR	HP/KW	RLA	LRA
BLOWER	10HP	11.6A	81A
COMP	40HP	48A	310A
C/FAN 1~2	2HP	4.0A	25A

UNIT DATA

FLA	68.3A
MCA	80A
MFS	125A

SET POINTS

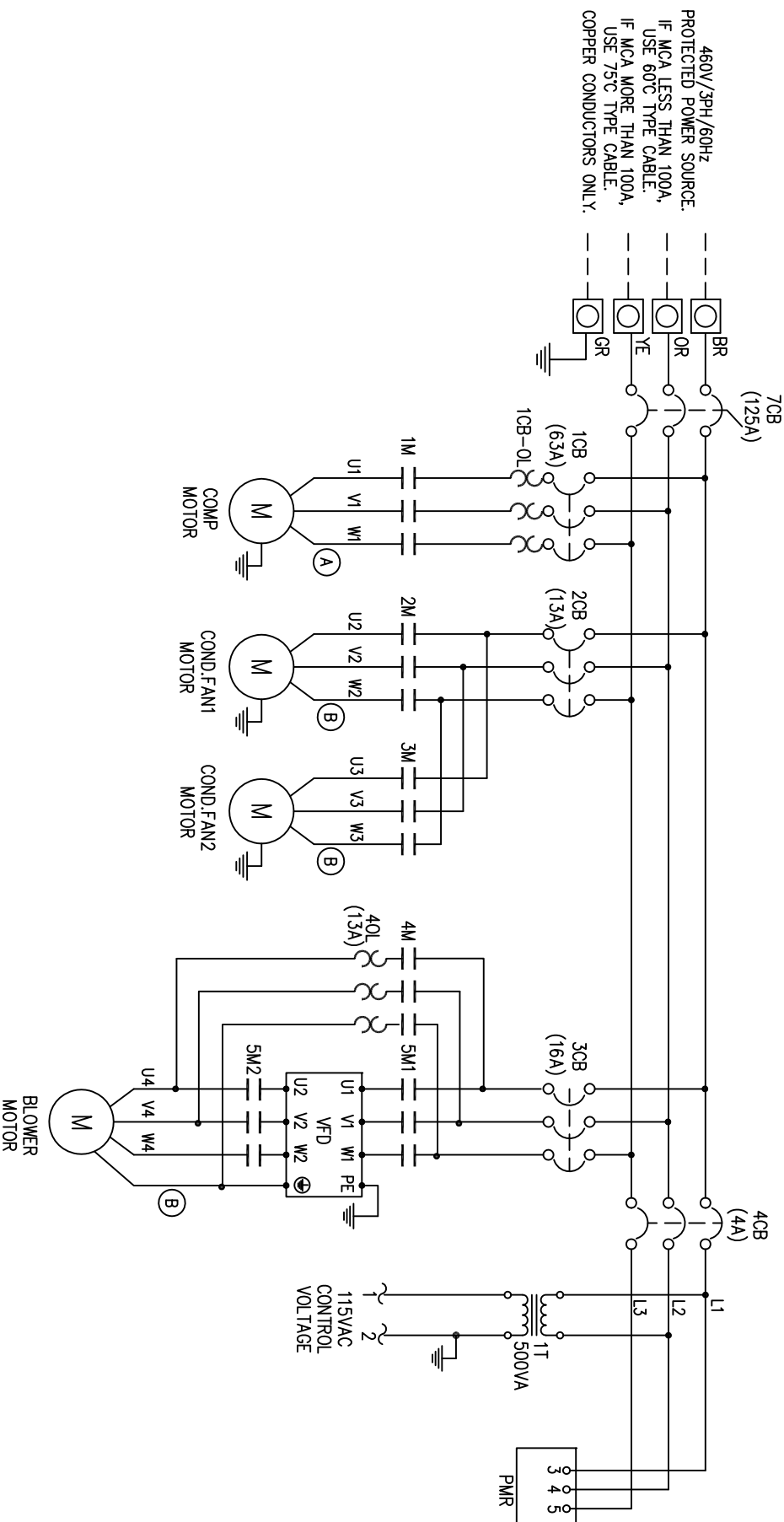
1HP	560#/MANUAL RESET
2HP	350#/CUT IN/295# CUT-OUT
3HP	400#/CUT IN/345# CUT-OUT
1LP	65#/MANUAL RESET
1TR, 2TR	60 SEC
1CB-OL	60A
4OL	13A

IR33 SETTINGS

IR33-1 (GLG)	70F (BY RA PROBE)
	55F (BY SA PROBE)

LEGEND

- AFS - AIR FLOW SWITCH
- CB - CIRCUIT BREAKER
- CO - CONVENIENT OUTLET
- OR - CONTROL RELAY
- ES - EMERGENCY SWITCH
- FLA - FULL LOAD AMPS
- FU - FUSE
- GFCL - GROUND FAULT CIRCUIT INTERRUPTOR
- HP - HORSE POWER
- HTL - HIGH PRESSURE SWITCH
- HTL - HIGH TEMPERATURE LIMIT
- ITS - INTERNAL THERMAL SENSOR
- J - JUMPER
- KW - KILOWATT
- LLS - LIQUID LINE SOLENOID
- LRA - LOCKED ROTOR AMPS
- LP - LOW PRESSURE SWITCH
- M - MOTOR
- MP - MOTOR PROTECTOR
- MCA - MINIMUM CIRCUIT AMPS
- MCCB - MOULDED CASE CIRCUIT BREAKER
- MFS - MAXIMUM FUSE SIZE
- OL - OVERLOAD PROTECTOR
- PL - PILOT LIGHT
- PMR - PHASE MONITOR RELAY
- POT - POTENTIOMETER
- RLA - RATED LOAD AMPS
- STG - STAGE
- SW - SWITCH
- TB - TERMINAL BLOCK
- TR - TIMER RELAY
- TS - TRANSFORMER
- TS - TEMP. SENSOR
- R - RED
- G - GREEN
- A - AMBER
- VFD - VARIABLE FREQ. DRIVE
- * - FIELD SUPPLY
- * - MANUAL RESET
- - FACTORY WIRING
- - FIELD WIRING
- - SEE NOTE "n"
- - CAM-LOCK



460V/3PH/60Hz
PROTECTED POWER SOURCE.
IF MCA LESS THAN 100A,
USE 60°C TYPE CABLE.
IF MCA MORE THAN 100A,
USE 75°C TYPE CABLE.
COPPER CONDUCTORS ONLY.

CABLE SIZE
CONTROL - 14AWG
(A) - 6AWG, BLACK
(B) - 12AWG, BLACK



MODEL: SACP 40A-HS

PROJECT:

THIS DOCUMENT IS THE PROPERTY OF SMARTECH AND SHOULD NOT BE DISCLOSED OR USED WITHOUT THE EXPRESSED CONSENT OF COMPANY

DRAWN BY: ANA DATE: 23.02.2015

CHECKED BY:

DATE:

APPROVED BY:

DATE:

UNIT NO:

-

TITLE: SCHEMATIC WIRING DIAGRAM

DRAWING NO: S210840149

F.O NO:

SHEET 1

REV.

DESCRIPTION

DATE

REV. BY

CHK'D. BY

APP'D BY

