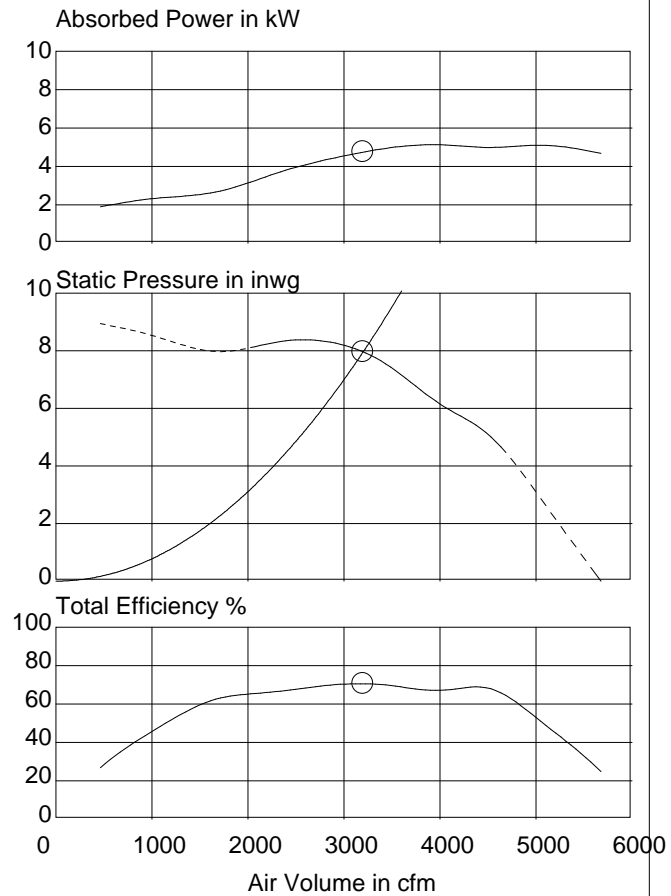


Date 27-2-2013
 Company
 Attention
 Project R410A Rental Units
 Reference 28Ton
 Notes 3200CFM
 TSP: 7.96"(7.5HP-Max Static)



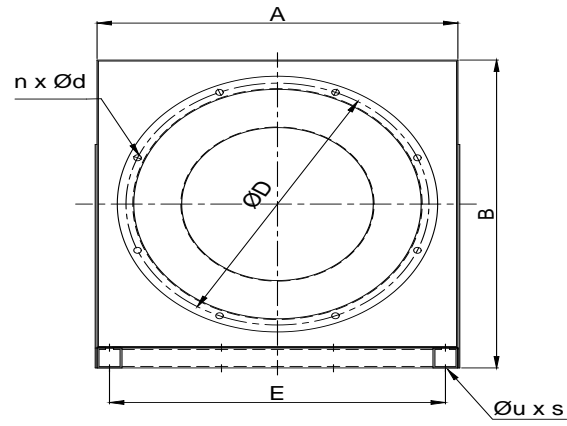
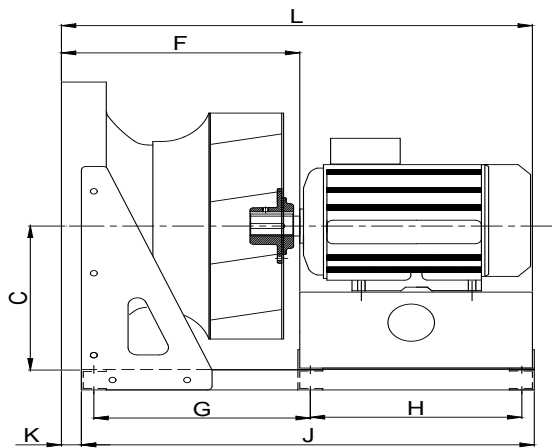
SMART FAMILY OF COOLING PRODUCTS
 1118 First St E. Humble TX 77338 281-540-2805
 TACLA1449EC | Registered obo of Combined Refrigeration, Inc.

Fan Type	txt_SISWAirfoilCurved
Unit	BLW27023 (CLII)
Operating Conditions	Radial w/o bellmouth
Air Volume	3200 cfm
Static Pressure	7.96 inwg
Velocity Pressure	0.55 inwg
Total Pressure	8.51 inwg
Outlet Velocity	15.26 m/s
Fan Total Efficiency	70.6 %
Fan Static Efficiency	66.2 %
Fan Speed	3600 rpm
Air Temperature	20.0 °C
Altitude	0 m
Fan Absorbed Power	4.75 kW
Motor Installed Power	D132S (5.50 kW 60 Hz 2p)
Motor Speed	-
Service Factor	0 %
Plenum Size	726 x 726 x 1068 mm
Outlet Size	315 x 315 mm
Rec. Airflow Variation	0
Fan Pulley / Bush / Shaft	-
Motor Pulley / Bush / Shaft	-
Belt Length	-
Number of Belts / f	-
Static Belt Tension/Belt	-
Belt Deflection	-
Belt Speed (<40m/s)	-
Bearing Life (L10 / L50)	-
Starting Torque	-
Operating Limits	
Max. Absorbed Power	6.00 kW
Max. Fan Speed	3800 rpm
Temperature (Min-Max)	-20° to +85°C



Hz	63	125	250	500	1k	2k	4k	8k	Overall
Lwi(Lin)	77	80	80	87	84	78	78	75	91 dB
Lwi(A)	52	65	71	84	84	79	79	74	89 dB(A)
Lpi(A)	45	58	64	77	76	72	72	67	81 dB(A)

* Sound data is for the inlet side
 * Sound Pressure Level 1m, Room Conditions

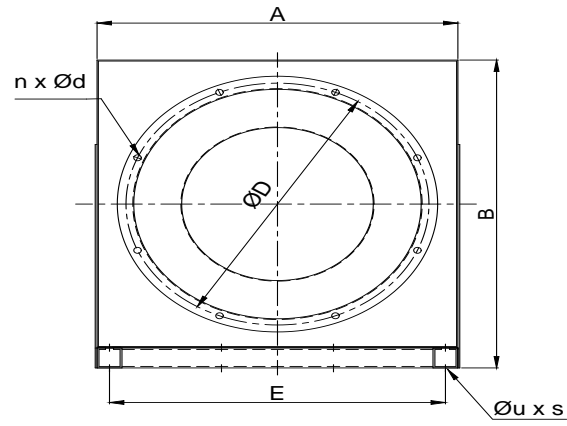
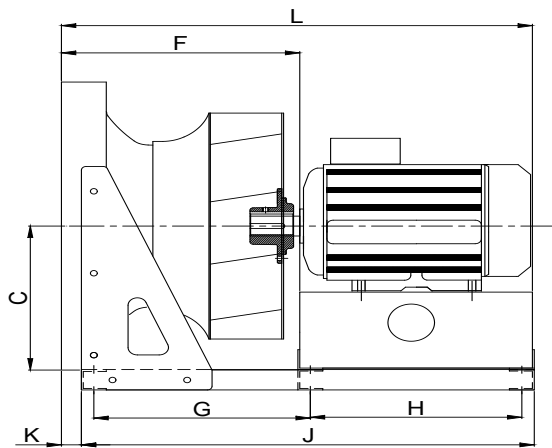
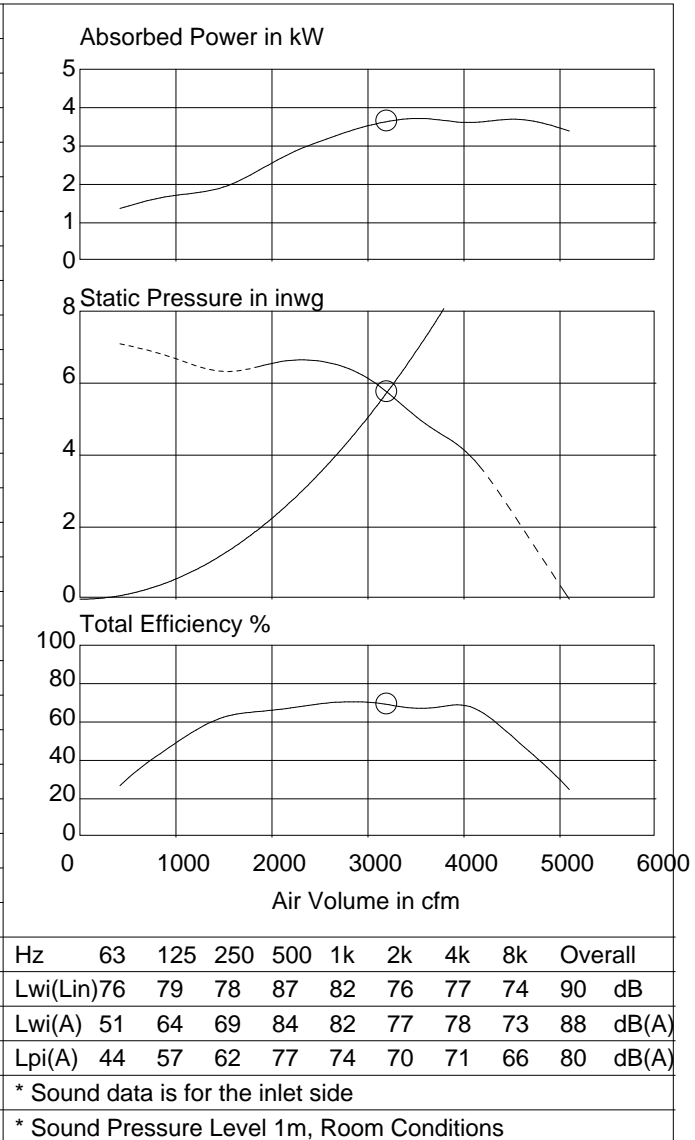


Date 27-2-2013
 Company
 Attention
 Project R410A Rental Units
 Reference 28Ton
 Notes 3200CFM
 TSP: 5.75"(7.5HP-Min Static)



SMART FAMILY OF COOLING PRODUCTS
 1118 First St E. Humble TX 77338 281-540-2805
 TACLA1449EC | Registered obs of Combined Refrigeration, Inc.

Fan Type	txt_SISWAirfoilCurved
Unit	BLW27023 (CLII)
Operating Conditions	Radial w/o bellmouth
Air Volume	3200 cfm
Static Pressure	5.75 inwg
Velocity Pressure	0.55 inwg
Total Pressure	6.30 inwg
Outlet Velocity	15.26 m/s
Fan Total Efficiency	69.1 %
Fan Static Efficiency	63.4 %
Fan Speed	3233 rpm
Air Temperature	20.0 °C
Altitude	0 m
Fan Absorbed Power	3.64 kW
Motor Installed Power	D132S (5.50 kW 60 Hz 2p)
Motor Speed	-
Service Factor	0 %
Plenum Size	726 x 726 x 1068 mm
Outlet Size	315 x 315 mm
Rec. Airflow Variation	0
Fan Pulley / Bush / Shaft	-
Motor Pulley / Bush / Shaft	-
Belt Length	-
Number of Belts / f	-
Static Belt Tension/Belt	-
Belt Deflection	-
Belt Speed (<40m/s)	-
Bearing Life (L10 / L50)	-
Starting Torque	-
Operating Limits	
Max. Absorbed Power	6.00 kW
Max. Fan Speed	3800 rpm
Temperature (Min-Max)	-20° to +85°C

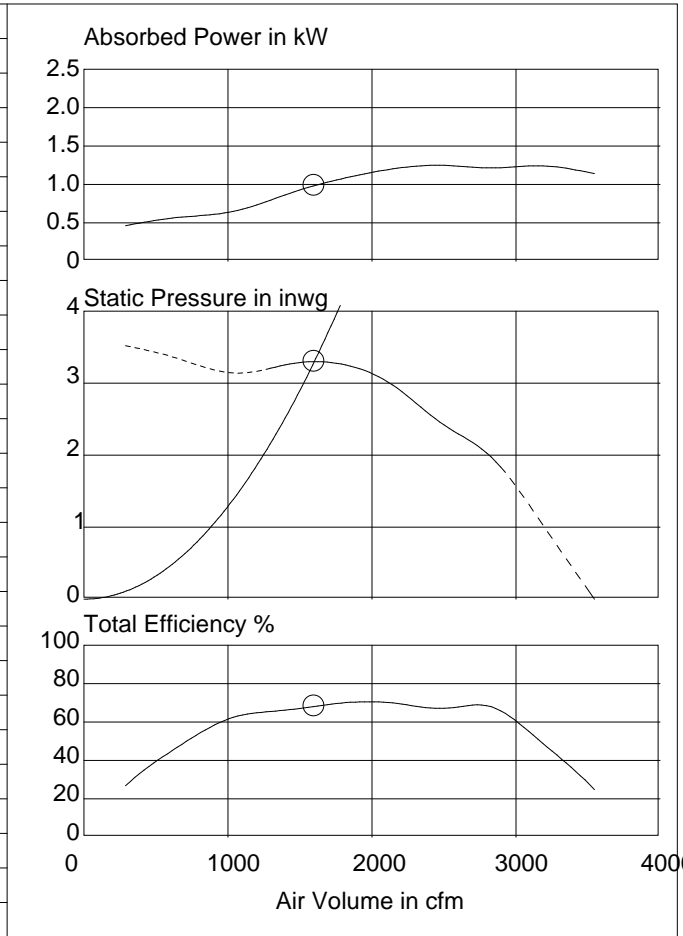


Date 27-2-2013
 Company
 Attention
 Project R410A Rental Units
 Reference 28Ton
 Notes 1600CFM (50% Unload)
 TSP: 3.3" (Max Static)

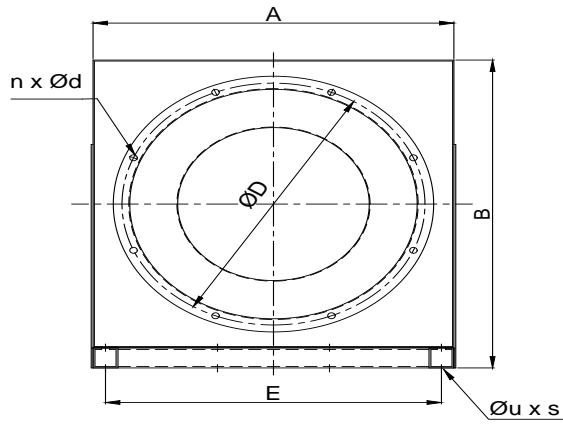
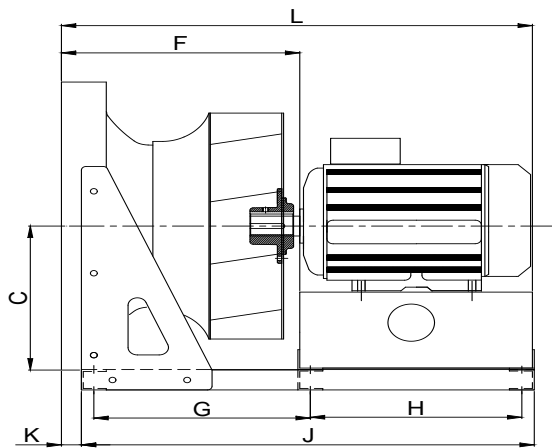


SMART FAMILY OF COOLING PRODUCTS
 1118 First St. E. Humble TX 77338 281-540-2805
 TACLA1449EC | Registered obs of Combined Refrigeration, Inc.

Fan Type	txt_SISWAirfoilCurved
Unit	BLW27023 (CLI)
Operating Conditions	Radial w/o bellmouth
Air Volume	1600 cfm
Static Pressure	3.30 inwg
Velocity Pressure	0.14 inwg
Total Pressure	3.44 inwg
Outlet Velocity	7.63 m/s
Fan Total Efficiency	68.1 %
Fan Static Efficiency	65.5 %
Fan Speed	2248 rpm
Air Temperature	20.0 °C
Altitude	0 m
Fan Absorbed Power	0.98 kW
Motor Installed Power	D80 (1.10 kW 60 Hz 2p)
Motor Speed	-
Service Factor	0 %
Plenum Size	726 x 726 x 813 mm
Outlet Size	315 x 315 mm
Rec. Airflow Variation	0
Fan Pulley / Bush / Shaft	-
Motor Pulley / Bush / Shaft	-
Belt Length	-
Number of Belts / f	-
Static Belt Tension/Belt	-
Belt Deflection	-
Belt Speed (<40m/s)	-
Bearing Life (L10 / L50)	-
Starting Torque	-
Operating Limits	
Max. Absorbed Power	3.00 kW
Max. Fan Speed	2900 rpm
Temperature (Min-Max)	-20° to +85°C



Hz	63	125	250	500	1k	2k	4k	8k	Overall
Lwi(Lin)	113	116	100	84	78	71	70	63	118 dB
Lwi(A)	88	101	91	81	78	72	71	62	102 dB(A)
Lpi(A)	81	94	84	74	70	65	64	55	95 dB(A)
* Sound data is for the inlet side									
* Sound Pressure Level 1m, Room Conditions									



A	B	C	D	E	F	G	H	J	K	L	UxS	NxS
490	530	245	394	450	320	287	203	530	33	563	13x18	8x9